

SENSE SPORT USA

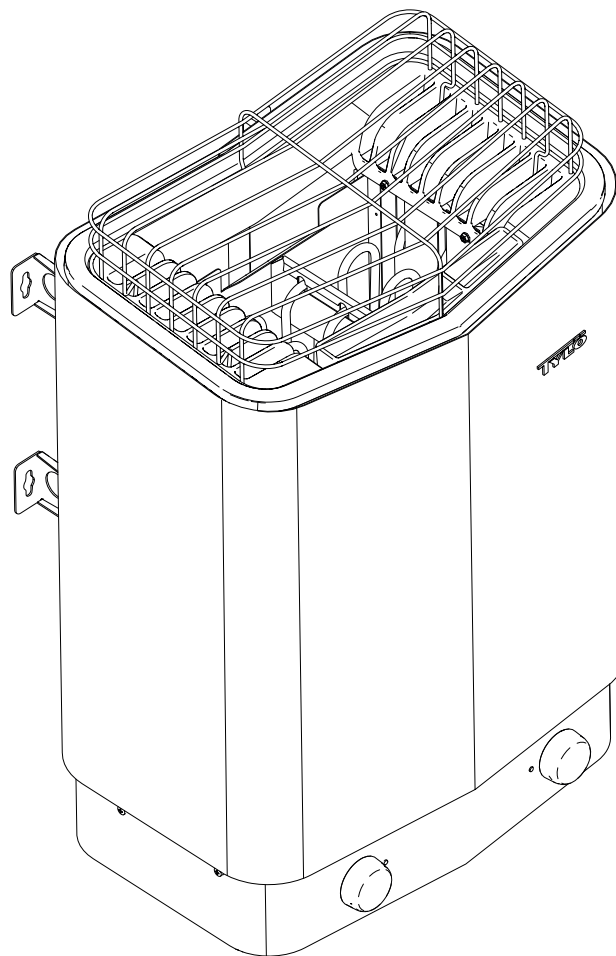
2022-06-15

ENGLISH

INSTALLATION / USER GUIDE

FRANÇAIS

NOTICE D'INSTALLATION ET D'UTILISATION



INSTALLATION GUIDE..... 1

BEFORE INSTALLATION	1
Parts	1
Installation requirements	1
Installation tools	1
Planning installation	1
INSTALLATION	3
Sauna heater installation	3
CONNECTION/WIRING	3

USER GUIDE..... 5

GENERAL INFORMATION	5
BEFORE USE	5
The first time you use the heater	5
Before each use	5
OPERATION.....	5
Setting the temperature	5
Setting time	6
Functions	6
MAINTENANCE	6
Cleaning the fragrance holder and air humidifier	6
Check the stone compartment	6
TROUBLESHOOTING	7
Troubleshooting the sauna heater	7
SPARE PARTS LIST	7
ROHS (RESTRICTION OF HAZARDOUS SUBSTANCES)	7
HEATER WIRING DIAGRAM	8



WARNING!

* **Hyperthermia** occurs when the internal temperature of the body reaches a level several degrees above the normal temperature of 98.6° F. The symptoms of hypothermia include an increase in the internal temperature of the body, dizziness, lethargy, drowsiness and fainting. The effect of hyperthermia include:

- Failure to perceive heat;
 - Failure to recognize the need of exit the room;
 - Unawareness of impending hazard;
 - Fatal damage of pregnant women;
 - Physical inability to exit the room; and
 - Unconsciousness
- Do not take a sauna if using alcohol, drugs or medications.
 - Pregnant women or persons with poor health should consult their physician before using any sauna.
 - Caution fire hazard: Do not use the sauna room for drying clothes, bathing suits, etc. Do not hang towels above heater or place any object other than the rocks supplied on the heater. If any darkening of the wall around the heater is noticed discontinue sauna use immediately.
 - Inspect sauna regularly for required maintenance to heater, control and benches. Replace wood surfaces which show any signs of deterioration.
 - The heater gets extremely hot during operation and should not be touched or burns may result.
 - Minors should be adequately supervised whenever near a hot or warming sauna.
 - Fire sprinkler systems used inside any sauna room should be properly rated for sauna room temperatures.
 - Do not pour chlorinated pool or spa water on heater. Excessive water use on heater may cause damage and void warranty.
 - Electric Shock Hazard - High voltage exists within this equipment. There are no user serviceable parts in this equipment. All installation and service to this equipment should be performed by qualified licensed personnel in accordance with local and national codes.
 - Do not construct sauna room so as to restrict air flow through the bottom of the heater.

- Packing the rocks too tightly may cause the heater high limit switch to trip.
- Maintain minimum clearance from heater to wooden surfaces (benches, side walls, heater fence etc.). Mounting brackets supplied. Provides proper clearance from wall behind heater.
- Use only copper wire of the size and type indicated in the Heater Specification Chart and the temperature rating indicated on the heater junction box.
- A guardrail or fence is required around the heater to prevent burns from accidental contact.
- All heaters and controls must be grounded per NEC to prevent electrical shock in case of unit failure.
- Electrical outlets or receptacle must not be installed in a sauna room.
- Do not locate benches over heater.



Keep this user guide!
In the event of any problems, please contact the retailer where you purchased the equipment.

© This publication may not be reproduced, in part or in whole, without the written permission of Tylö. Tylö reserves the right to make changes in materials, construction and design.

INSTALLATION GUIDE

BEFORE INSTALLATION

Parts

Check that the following parts are included in the packaging:

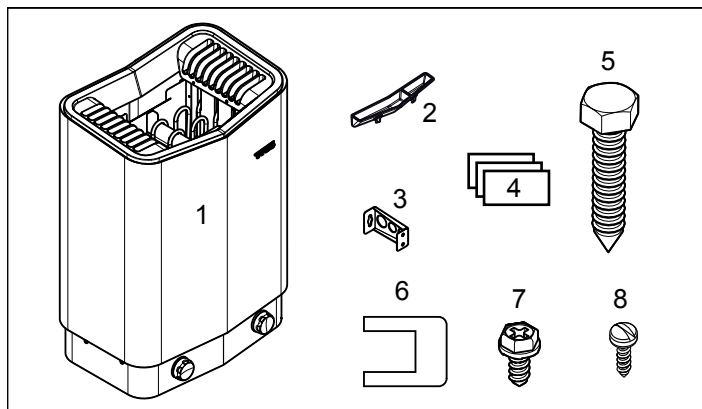


Figure 1: Sauna heater parts

1. Sauna heater
2. Herb bowl / air humidifier
3. Heater Mounting Brackets x 4
4. Warning and Caution plates for the room in multiple languages
5. Bracket screws x 4
6. Connectors x 3
7. Lock screw B 8 x 9.5 x 1
8. Screws B 4 x 6.5 x 6 for Warning and Caution plates

Contact your dealer if anything is missing.

Installation requirements

To ensure safe use of the heater, check that the following criteria are met:

- Electrical wiring should be installed in accordance with NEC and all state and local codes.
- Fuse size (A) and power cable size (AWG) must be suitable for the heater (see The section called Connection/wiring diagram, Page 3).
- The sauna ventilation must comply with the instructions in this manual (see The section called Positioning the inlet vent, Page 2, The section called Positioning the outlet vent, Page 2).
- The position of the sauna heater must comply with the instructions in this manual.
- The heater output (kW) must be suitable for the sauna volume (cu.ft.) (See Table 1, Page 1). The minimum and maximum volumes must not be exceeded.

Table 1: Voltage and sauna volume

Model	Voltage	kW	Sauna volume min. cu.ft.	Sauna volume max. cu.ft.
SSU 5	208 V	3,5	75	105
SSU 5	240 V	4,6	75	220
SSU 7	208 V	5,3	130	175
SSU 7	240 V	7,0	130	320
SSU 8	208 V	6,3	195	285
SSU 8	240 V	8,3	195	440

Installation tools

The following tools and materials are needed for installation and connection:

- level,
- adjustable spanner wrench,
- electric drill,
- screwdriver.

Planning heater and room installation

Before starting to install your sauna heater:

- Plan where to position the sauna heater (see The section called Positioning the heater - normal installation, Page 1).
- Position the inlet vent (see The section called Positioning the inlet vent, Page 2).
- Position the outlet vent (see The section called Positioning the outlet vent, Page 2).
- Plan the electrical installation (see The section called Connection/wiring diagram, Page 3).

Positioning the heater in a sauna room

Position the sauna heater:

- On the same wall as the door (or the side wall if very close to the door wall).
- At a safe distance from the floor, side walls and interior fittings (see Figure 2, Page 1).

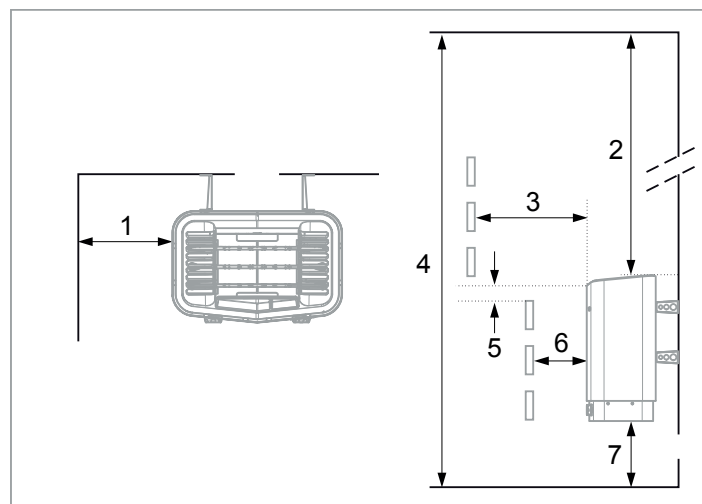


Figure 2: Positioning the heater - normal installation

1. Minimum distance from side wall: 3.0 in
2. Minimum distance from ceiling: 44.0 in
3. Minimum distance from interior fittings: 4.0 in
4. Minimum ceiling height: 75.0 in
5. Minimum distance: 1.0 in
6. Minimum distance from interior fittings: 2 in
7. Distance from floor: 7 in

Sauna room ventilation

In a sauna, the air should be changed about 6 times an hour. See Figure 3.

It is recommended that ventilation openings meet the requirements of UL Specification 875. The minimum opening should be determined using one of the following formulas:

$$\text{For } R < 31, \quad V \geq 9.3$$

$$\text{For } R \geq 31, \quad V \geq 0.3 \cdot R$$

where R = the floor area of the room in square feet and
 V = the minimum vent size in square inches

Positioning the inlet vent

Install the inlet vent straight through the wall under the centerline of the heater.

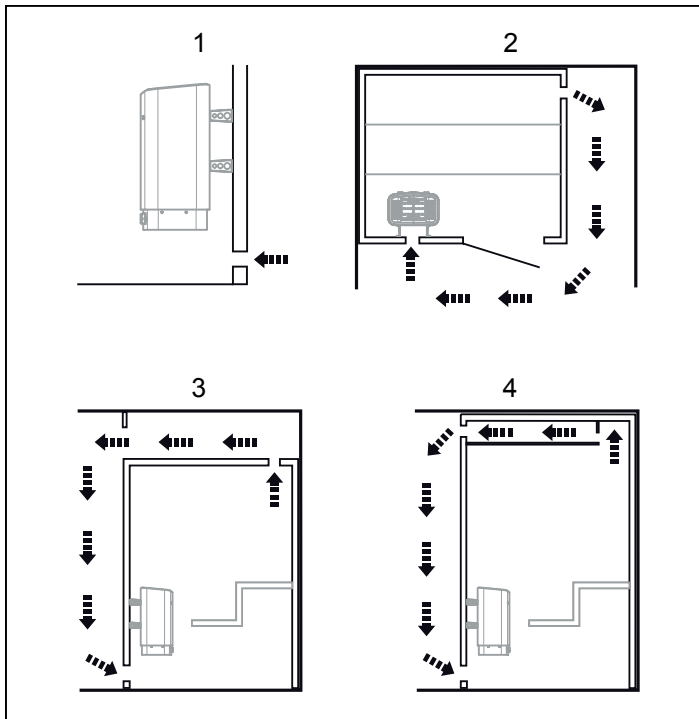


Figure 3: Positioning the inlet and outlet vents

1. Inlet vent position.
2. Outlet vent position through the sauna wall.
3. Outlet vent position through the cavity.
4. Outlet vent position via duct.

Positioning the outlet vent

Position the outlet vent:

- at the maximum possible distance from the inlet vent, e.g. diagonally (see Figure 3, Page 2)
- high on the wall or in the ceiling (see Figure 3, Page 2).
- so that it vents into the space the door and inlet vent open into.

The outlet vent must have the same area as the inlet vent. Ensure that the outlet vent is open.

Mechanical ventilation is not recommended due to the risk of poor air exchange, which can negatively affect the heater temperature cut-out.

Room construction

For safety and reliability, the following rules must be addressed.

- The enclosed **WARNING**: Reduce the risk of overheating ... warning plate must be mounted on or alongside the door outside the sauna room at about eye level. Use the supplied screws.
- The enclosed **CAUTION**: Reduce the risk of fire ... caution plate must be mounted on the interior wall above the heater. Use the supplied screws.
- No permanent locking or latch system is to be used on the sauna door.
- Acceptable door fittings are: magnetic catches, friction catches, spring or gravity loaded closures. The door must always open outwards.
- No shower may be installed in a sauna room.
- No electrical receptacle shall be installed inside the sauna room.
- The heater should not be operated without its container properly filled with rocks and the rock guard in place.
- If an intercom speaker is installed, it should be away from the heater and as close to the floor as possible.
- If a room light is installed, it should be a surface mounted bracket type. Wall mounted lights should be about 70" above the floor. Ceiling mounted lights should be of an approved type with a junction box that is remote to the fixture itself. Use only a fixture that uses A.F. or fixture type internal wiring. A 60 watt bulb should provide sufficient lighting.
- Fire sprinkler systems installed inside any sauna room should be properly rated for sauna room temperatures.
- Always mount the heater according to these installation instructions.

WARNING

REDUCE THE RISK OF OVERHEATING

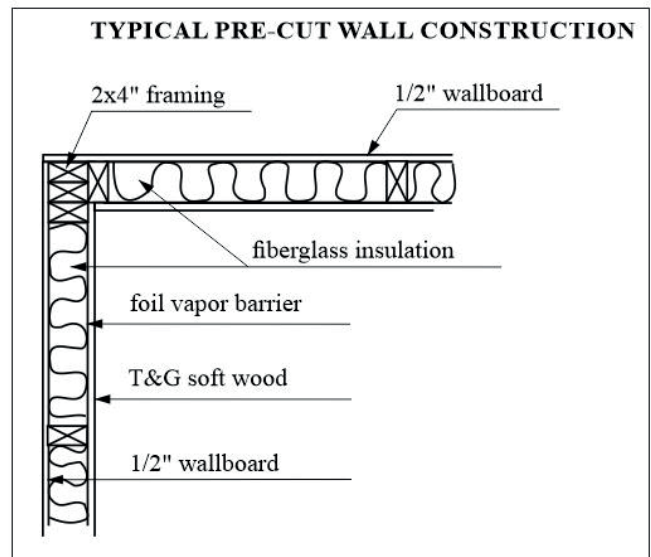
- * Exit Immediately If uncomfortable, dizzy, or sleepy. Staying too long in a sauna is capable of causing overheating.
- * Supervise children at all times.
- * Check with a doctor before use if pregnant, in poor health, or under medical care.
- * Breathing heated air in conjunction with consumption of alcohol, drugs, or medication is capable of causing unconsciousness.

CAUTION

REDUCE THE RISK OF FIRE

Do Not Place Combustible Material On The Heater At Any Time.

Typical wall construction



ELECTRICAL INSTALLATION

- All heaters and controls must be grounded per NEC to prevent electrical shock in case of unit failure.
- Use only copper wire of the size and type indicated on the heater.
- Connect the heater using standard wiring NEC approved for fixed installation.
- Use only copper wire of the size and type according to the information on the heater and NEC.

Sauna heater installation

It is easiest to prepare for installation with the heater lying down. To install the heater:
Lay the heater down front upwards.
Remove the screws and open the cover (see Figure 4, Page 3).

Connect the electrical cable (1) to terminal block.

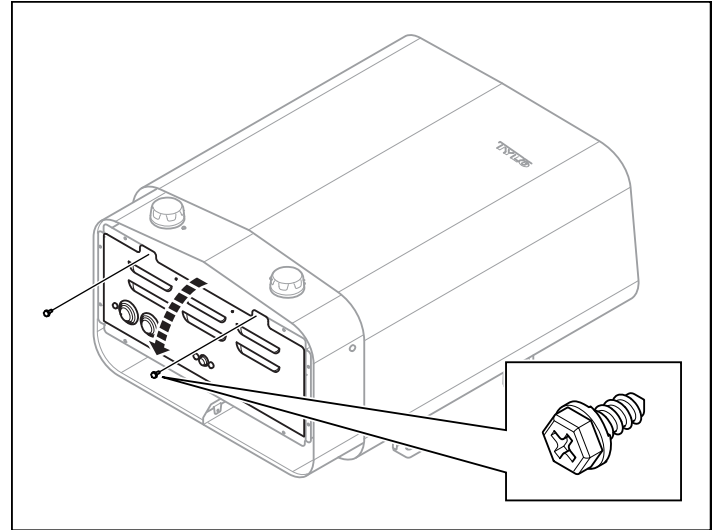


Figure 4: Opening/closing the cover

! WARNING! Always check that the heater is connected to the correct main/phase voltage.

Electrical installation must be made by a licensed electrician in accordance with the National Electrical Code and local regulations.

Open the access cover from under the heater. Route the feed wires through the holes provided in the bottom of the heater and connect the wires to the terminal block. To determine the correct wire size, see chart below. Use copper supply wire only, suitable for minimum 90 degrees C. The heater must be grounded!

Connection/Wiring

Heater Wiring Size Chart

Model	Output kW	208 V 1 Phase		240 V 1 Phase	
		Amps	Wire Size AWG	Amps	Wire Size AWG
SSU 5	3.5	17	12		
SSU 5	4.6			20	10
SSU 7	5,3	26	10	-	-
SSU 7	7.0	-	-	30	8
SSU 8	6.3	30	8	-	-
SSU 8	8.3	-	-	35	8

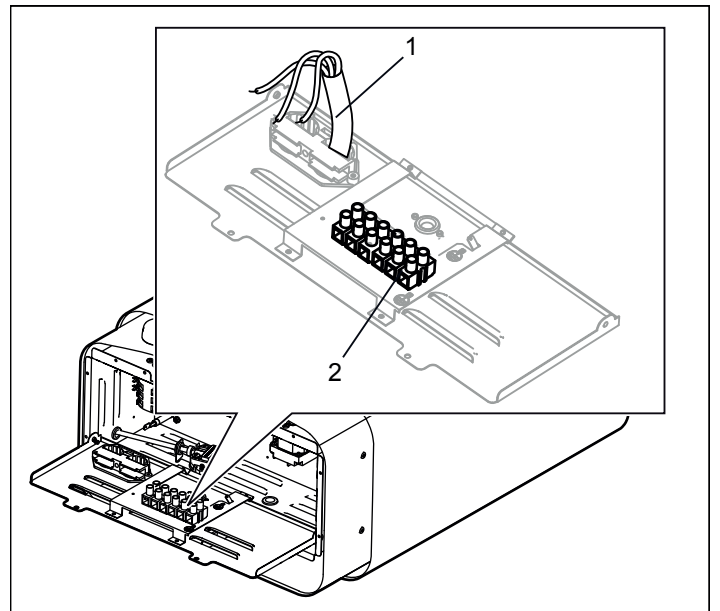
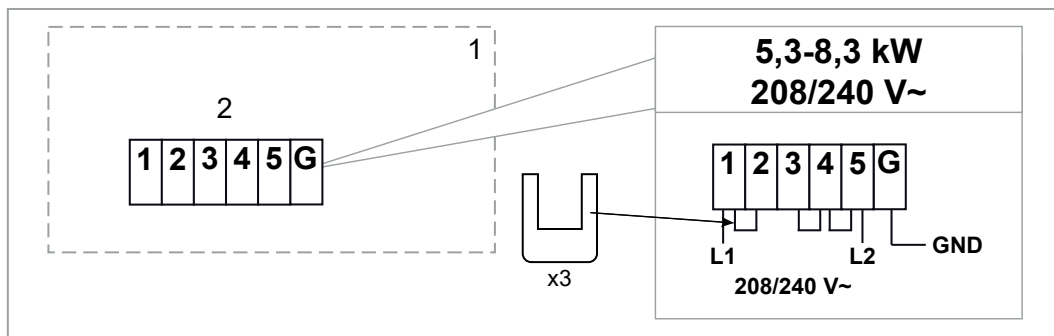


Figure 5: Terminal Block

1. Electrical cable
2. Terminal for connection of electrical cable

Close the cover and tighten the screws (see Figure 4, Page 3).

Terminal Block Connections



Removing the Rock Guard

Unscrew the two screws on the side of the heater and lift the rock guard upwards, see Figure 6, Page 4. (This is necessary when filling the stone compartment or cleaning the fragrance holder and air humidifier).

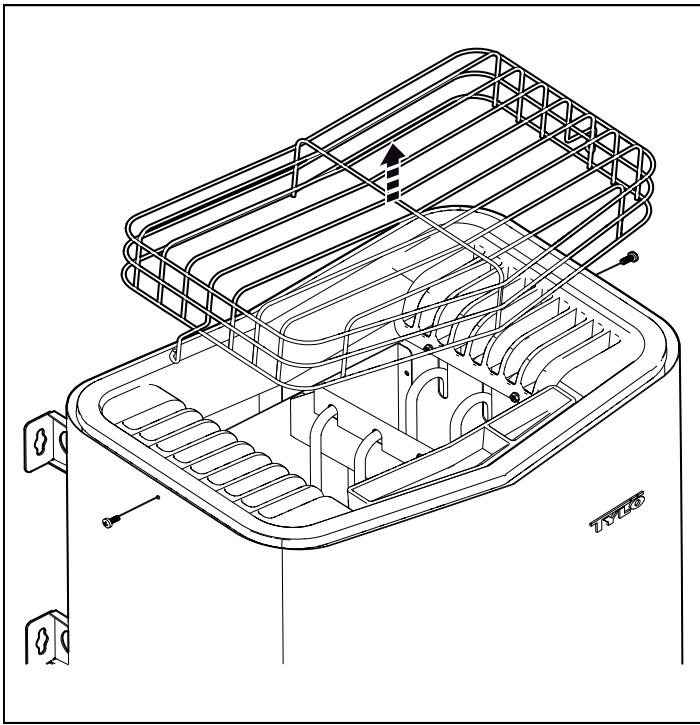


Figure 6: Removing the Rock Guard

Mounting heater

1. Unscrew the first two screws on the back of the heater and screw one of the four brackets into place. Repeat the procedure until all of the brackets are fitted see Figure 7, Page 4.

CAUTION! If all the screws on the back are unscrewed simultaneously, the back plate may come loose. For this reason, attach the four brackets to the heater one at a time.

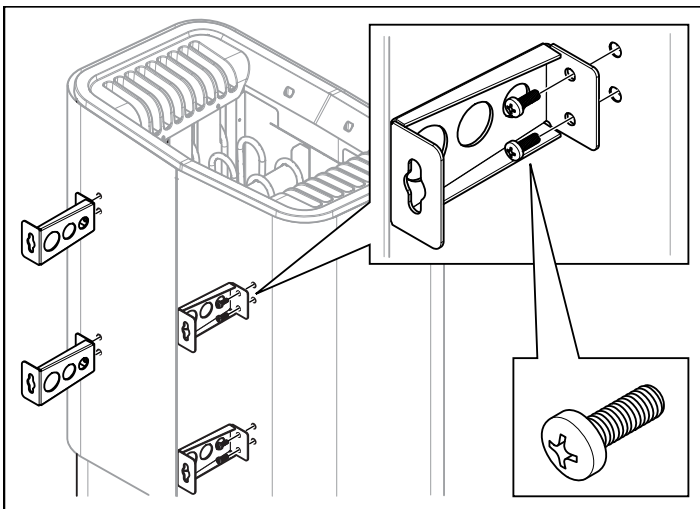


Figure 7: Attaching the brackets to the heater

2. Position the bracket screws according to the specified dimensioning see Figure 8, Page 4.

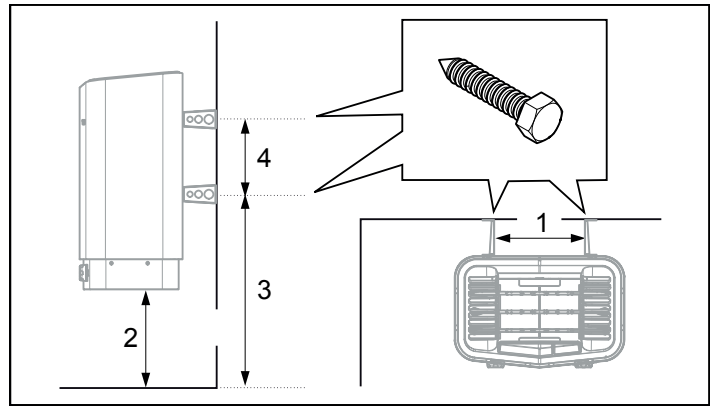


Figure 8: Dimensioning

1. 10.31 in
2. 7.0 in
3. 17.3 in
4. 8.11 in

3. Attach the herb bowl/air humidifier (see Figure 9, Page 4).

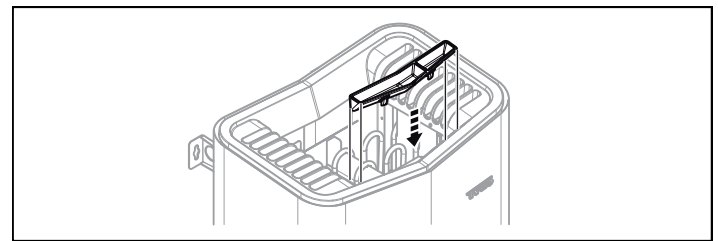


Figure 9: Fitting the fragrance holder/air humidifier

4. Hang the heater on the screws see Figure 10, Page 4.

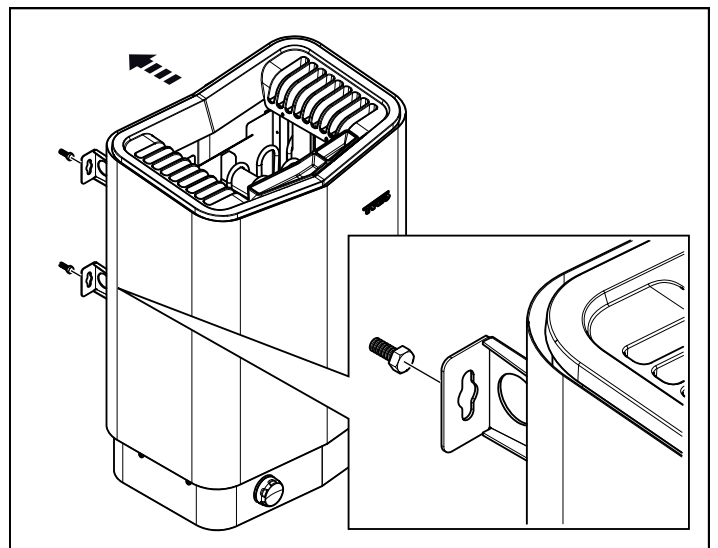


Figure 10: Hang the heater up.

5. Lock the heater into place with the lock screw see Figure 11, Page 4.

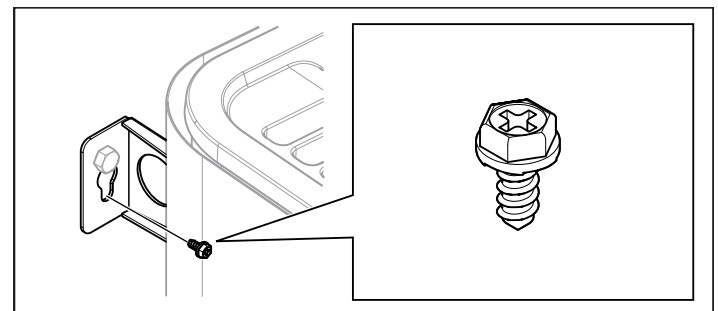


Figure 11: Lock screw for bracket

USER GUIDE


GENERAL INFORMATION

Congratulations on your new sauna heater! Follow this user guide to get the most from your purchase.

Wet and dry saunas are forms of bathing which originate way back in history. These hot sauna baths are best at temperatures between 145-190°F. The temperatures are measured 8-10 inches from the ceiling above the sauna heater.

BEFORE USE

The first time you use the heater



CAUTION! Always use dolerite stones (Tylö Sauna Stones). "Ordinary" stones can damage the heater. Do not use ceramic stones. Ceramic stones can damage the heater. The heater guarantee does not cover damage caused by ceramic stones.


Fill the stone compartment around the heating elements from the bottom to the top, to approx. 2" above the front top edge.

Do not press the stones into place. Capacity: Approx. 44 lb of stones.

Place the stones loosely to allow optimum air circulation. The tubular heating elements must not be squeezed together or against the side.

Sauna stones must:

- tolerate extreme heat and fluctuations caused by water being poured on them.
- be cleaned before use.
- have an uneven surface, so that the water "clings" to the stone surface and evaporates efficiently.
- be between 1-1/2" to 2" in size to allow air circulation in the stone compartment. This will increase the life of the tubular elements.



CAUTION! Never place stones on top of the side air chambers. Covering the vents will obstruct air circulation, the unit will overheat and the temperature safety switch will activate.

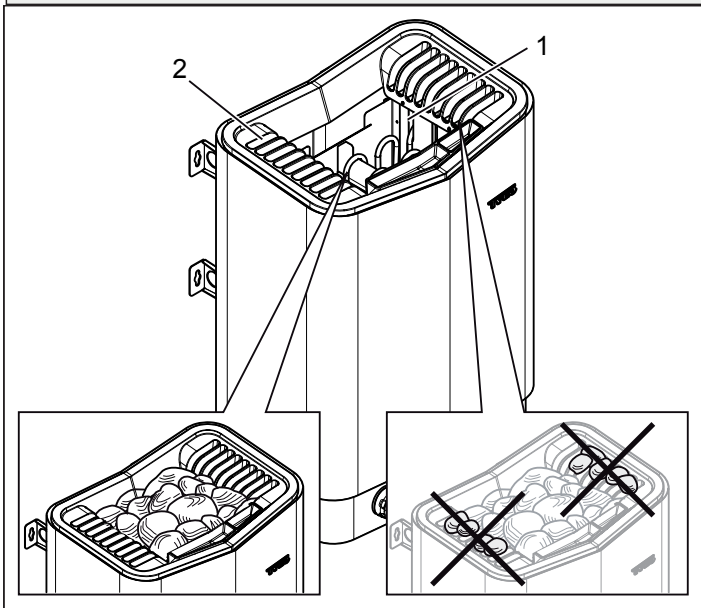


Figure 1: Filling the stone compartment

1. Stone compartment
2. Side chambers

Switch on the heater to remove any new paint odors

- To remove "new paint odor" from the heater:
- Turn the thermostat dial halfway through the heat scale and let the heater warm up for about one hour. A little smoke may appear.

Before each use


Check the following

Check that:

- there are no foreign objects in the sauna cabin, on or in the heater.
- the door and any windows to the sauna cabin are closed.
- that the sauna door opens outwards with a little pressure.

How to Sauna

- When taking a sauna, allow time to relax completely.
- Remove clothing and jewelry...if required, wear a towel loosely.
- After 10 minutes or when perspiration begins, leave sauna and relax in dressing area... follow with a cool shower.
- Cooling time should equal time spent in sauna. Enter sauna room again and stay 5 or 10 minutes.
- Repeat the cycle 2 or 3 times; end with a brisk shower...rinse in cool water.
- Dress when completely dry and perspiration has stopped.
- Some sauna bathers enjoy the soothing effect of steam by splashing water on the heated sauna rocks. Use only one dipper full (approx. 1/2 cup) at a time and take care to keep clear of the steam as it rises off the rocks.
- Do not smoke, exercise or drink alcoholic beverages in the sauna room.
- Do not pour chlorinated pool or spa water on the heater or corrosion damage may result.



NOTE! Do not use the sauna cabin for any purpose other than taking saunas.

Operation

Setting the temperature

The thermostat dial shows a rising heat scale. Find the sauna temperature which suits you best (usually 158-176°F). You can then leave the temperature setting at this level.

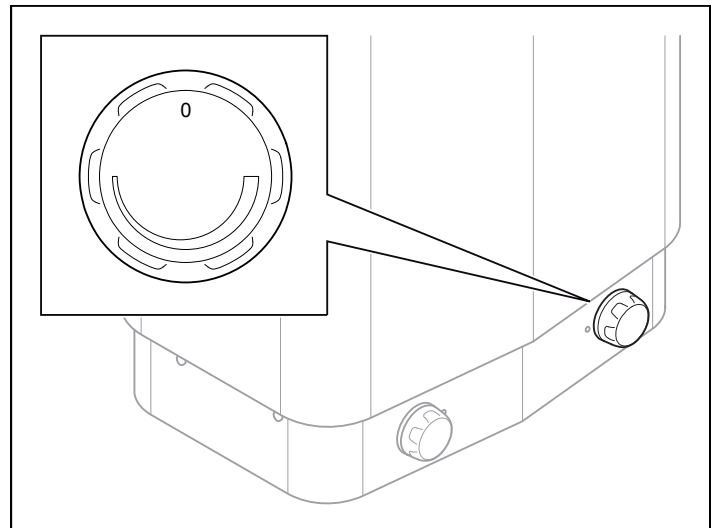


Figure 2: Thermostat for setting temperature

Setting time

To set the time for immediate start: Turn the timer knob full clockwise. The length of sauna is set for 60 minutes.

To manually stop heater turn the knob counter-clockwise.

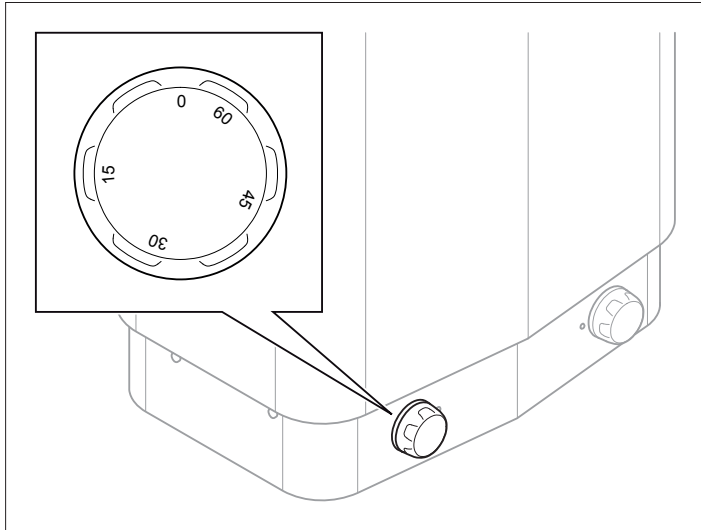


Figure 3: Time for setting time

Functions

Fragrance holder



DANGER! Fragrant essences etc. may ignite if poured directly onto the stones.

To create a pleasant fragrance in the sauna, pour a few drops of Tylö Sauna Fragrance into the water in the fragrance holder. You can also mix a few drops of the sauna fragrance with water in a sauna bucket and pour the water on fully heated stones. Use a sauna ladle for pouring water on the hot stones. Tylö Sauna Fragrance comes in six fragrances:

Tylö Sauna Fragrance comes in six fragrances:

- Eucalyptus
- Mint
- Menthol
- Pine
- Lemon
- Birch

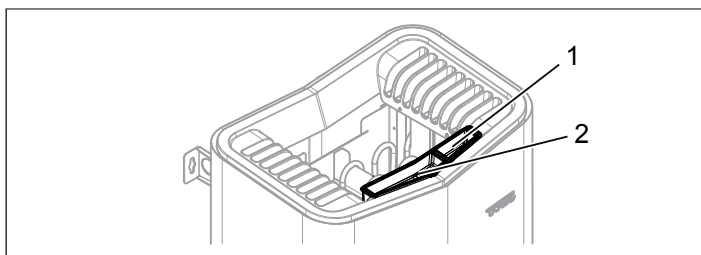


Figure 4: Other functions

1. Fragrance holder
2. Air humidifier

Air humidifier



DANGER! Do not pour water into the fragrance holder once it has been heated up, as this can cause boiling water to splash on the sauna occupants.

To maintain a pleasant basic humidity in the sauna, fill the built-in air humidifier (see Figure 4, Page 6) with water before switching on the sauna.



TIP! Pour a few drops of diluted sauna fragrance into the built-in air humidifier.

MAINTENANCE

Cleaning the fragrance holder and air humidifier

Clean the fragrance holder and air humidifier as required.

To clean the fragrance holder and air humidifier:

Remove the fragrance holder/air humidifier and rinse them under running water.

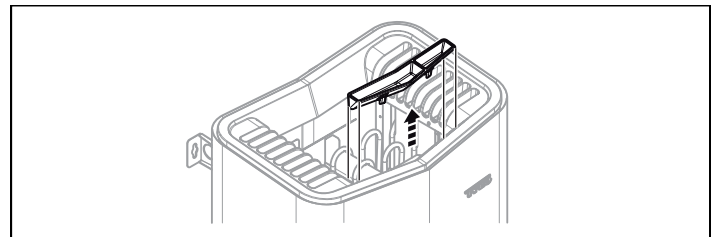


Figure 5: Cleaning the fragrance holder and air humidifier

Check the stone compartment

Check the stone compartment at least once annually or as many times per year as the heater is used per week.

Example: If the unit is used 3 times a week, check the stone compartment 3 times per year.

How to check the stone compartment:

Remove all stones from the compartment.

Remove any small stones, gravel and lime-scale from the compartment.

Put whole, undamaged stones back.

Replace damaged stones with new ones as required (see The section called Fill the stone compartment, Page 5).

Sauna Room

The sauna, like a bathroom, should be kept clean and odor free.

Towels or mats should always be used on benches and floor as perspiration otherwise penetrates the soft wood.

Air out the sauna often by keeping the door and vents open when the sauna is not in use. Saunas that are in daily use should be washed down at least once a week to keep them clean and the air fresh. Duckboard should be removed from the sauna, the sauna floor mopped and dried in a conventional manner, and the duckboard thoroughly scrubbed and dried before returning to the sauna room. The sauna heater should be wiped down occasionally with a damp cloth to remove lint and dust. The rocks should be removed once a year for cleaning and small or crumbled rocks replaced.

To clean and remove perspiration stains, use soap or detergent in warm water, best applied with a scrub brush. Badly soiled surfaces may require sanding. Sand paper wrapped around a wooden block works well.

Benches and supporting structure must be inspected annually for potential deterioration due to age, dry rot or abuse. Any boards with signs of deteriorations should be replaced immediately to avoid possible injury.

TROUBLESHOOTING

Troubleshooting the sauna heater

Table 1: Troubleshooting the sauna heater

Symptom	Possible cause	Remedy
Low Heat	Thermostat is not set high enough. Timer length is less than 60 minutes.	Raise the thermostat setting. Raise the time setting to full 60 minutes.
No Heat	Internal temperature safety switch activated. For more details, see The section called Temperature Safety Switch, Page 7.	Reset the temperature safety switch. There is a white button on the left side of heater which can be pressed in (see Figure 6, Page 7). Try to determine the cause of safety switch activation.
No Heat	Circuit Breaker / Fuses in the Breaker Panel.	Replace/reset the fuses in the breaker panel that have blown/tripped.
The fuses / circuit breaker in the distribution box trips as soon as the heater is turned on or during operation.	The heater has remained inactive for a long time, causing an insulation fault in the tubular elements.	Turn off the heater and do not use it. Contact an electrician to check the fault, or contact the dealer during the guarantee period.

Temperature Safety Switch

The temperature safety switch in the heater has the purpose of protecting the components, heating elements and woodwork in the sauna from overheating. If the safety switch is triggered, it must be reset before the heater can be turned on again. The cause of the overheating must be established before resetting the safety switch.

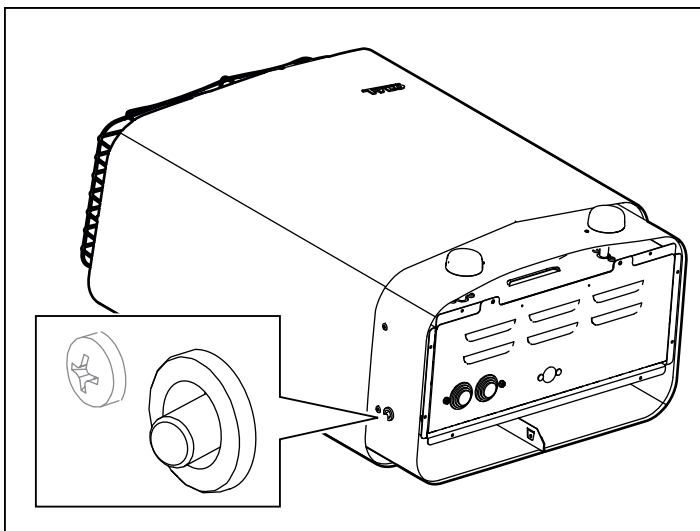


Figure 6: Resetting the temperature cut-out

SPARE PARTS LIST

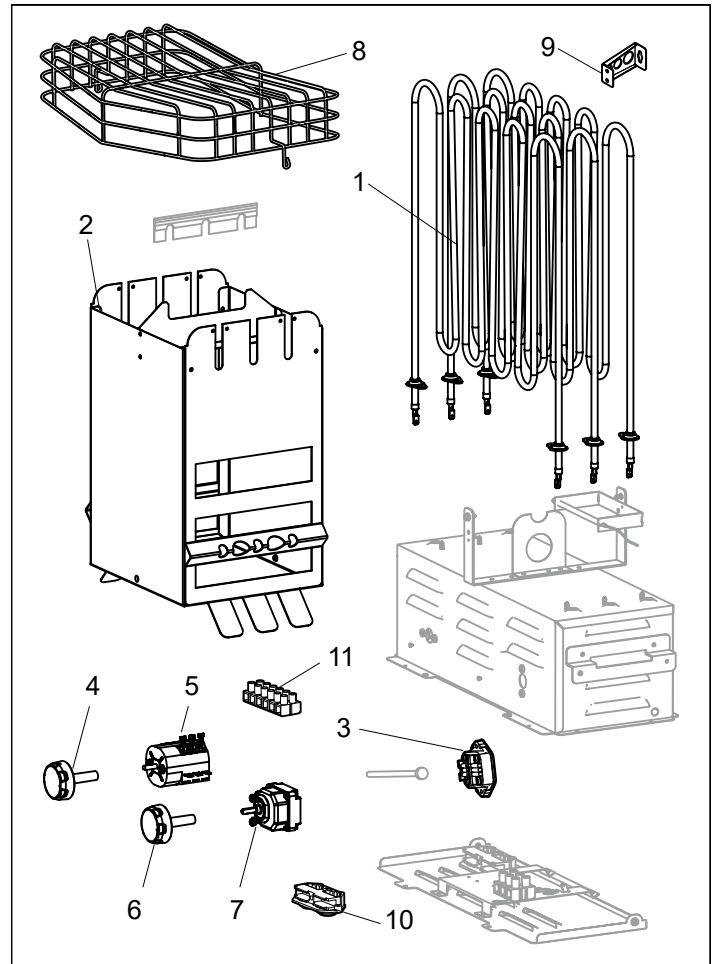
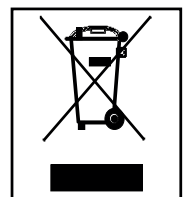


Figure 7: Spare parts

Sense Sport U Parts List for the Manual			
Manual Matrix #	Tylo USA Part No.	Tylo Europe Part No.	Description
1	3001-908	96000158	SSU 8 Heating Element 20,7 Ohms (3PCS)
1	3001-907	96000243	SSU 5/7 Heating Element 24,7 Ohms (3PCS)
2	8012-590	96000735	Stone Compartment
3	3119-610	96000253	Temperature Safety Switch
4	2140-708	96000134	Timer Knob
5	3410-508	96000014	Timer 60 Minute
6	2140-710	96000133	Thermostat Knob
7	3155-642	96000257	Thermostat
8	8019-541	96000736	Rock Guard
9	8201-210	96000146	Mounting Bracket (4PCS)
10	1130-12	96000554	Strain Relief Clamp
11	2100-520	96000723	Terminal Block

ROHS (RESTRICTION OF HAZARDOUS SUBSTANCES)

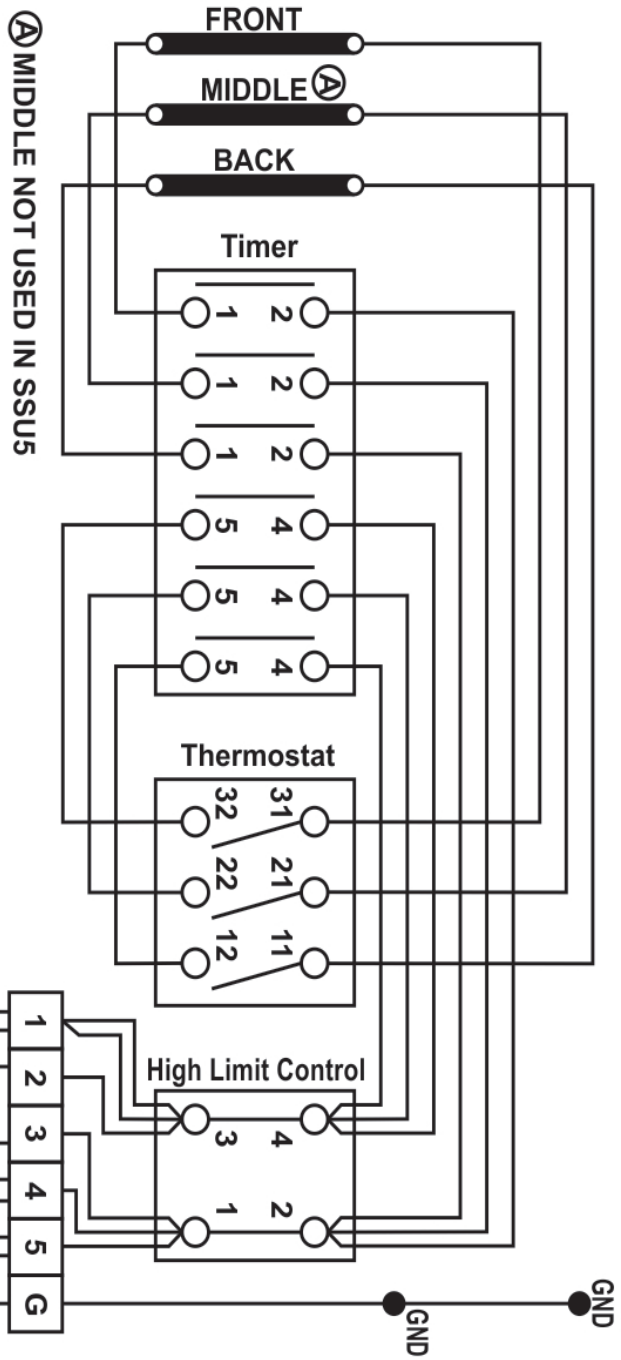
Instructions for environmental protection: Do not dispose of this product with the domestic refuse when no longer in use. Take it to a recycling station for electrical and electronic equipment instead. For further information, see the symbol on the product, manual or packaging. *Figure 8: Symbol*



The different materials can be recycled as specified by their labeling. You can help protect the environment by recycling or reusing the spent appliances or the materials in them. Take the product to a recycling center without the sauna stones or the soapstone jacket (if fitted). Contact your local authorities for details of your nearest recycling center.

SSU 5, 7, and 8 Heater Wiring Diagram

Art.nr 0400 0185



Use only 194° F copper wire
Don't forget to earth (ground)!

Type	kW	208 V~		240 V~	
		Amp	AWG	Amp	AWG
Sense Sport-U 5	3.5	17	10	-	-
	4.7	-	-	20	10
Sense Sport-U 7	5.3	26	10	-	-
	7.0	-	-	30	8
Sense Sport-U 8	6.3	30	8	-	-
	8.3	-	-	35	8

NOTICE D'INSTALLATION.....10 NOTICE D'UTILISATION14

AVANT L'INSTALLATION	10	INFORMATIONS GÉNÉRALES	14
Pièces	10	AVANT L'UTILISATION	14
Règles d'installation	10	Première utilisation du poêle	14
Outils d'installation	10	Avant chaque utilisation	14
Planification de l'installation	10	Réglage de la température	14
INSTALLATION	12	Réglage de la durée	15
Installation du poêle de sauna	12	Fonctions	15
CONNEXION/CÂBLAGE	12	ENTRETIEN	15
		Nettoyage du support à parfum et de l'humidificateur d'air.....	15
		Contrôle du compartiment à pierres	15
		DÉPANNAGE	16
		Dépannage du poêle de sauna.....	16
		LISTE DES PIÈCES DE RECHANGE	16
		LIMITATION DES SUBSTANCES DANGEREUSES	
		(ROHS, RESTRICTION OF HAZARDOUS SUBSTANCES)	16
		SCHEMA ÉLECTRIQUE DU POÊLE	17



AVERTISSEMENT !

* **Une hyperthermie se produit quand la température interne du corps dépasse de plusieurs degrés la température normale de 37 °C. Les symptômes de l'hyperthermie sont la montée de la température corporelle interne, des vertiges, une léthargie, une somnolence et une perte de connaissance. Les effets de l'hyperthermie sont :**

- La non-perception de la chaleur ;
 - La non-perception du besoin de quitter la cabine ;
 - La non-conscience du danger imminent ;
 - Des dommages fœtaux chez la femme enceinte ;
 - L'incapacité physique à quitter la cabine ; et
 - La perte de connaissance
- N'utilisez pas le sauna en cas de prise d'alcool, de drogues ou de médicaments.
 - Les femmes enceintes et les personnes en mauvaise santé doivent demander l'avis de leur médecin avant d'utiliser le sauna.
 - Attention au risque d'incendie : n'utilisez pas la cabine de sauna pour sécher des habits, maillots de bain, etc. Ne suspendez pas de serviettes au-dessus du poêle et ne placez pas sur le poêle un objet autre que les pierres fournies. Si un noircissement du mur autour du poêle apparaît, stoppez l'utilisation du sauna immédiatement.
 - Contrôlez régulièrement le sauna pour savoir si le poêle, la commande ou les bancs ont besoin d'un entretien. Remplacez les surfaces en bois détériorées.
 - Le poêle chauffe énormément en fonctionnement. Ne le touchez pas, sous peine de brûlures.
 - Les mineurs doivent être surveillés quand ils se tiennent à proximité d'un sauna chaud ou en phase de chauffage.
 - Les systèmes de buses anti-incendie, utilisés dans les cabines de sauna, doivent être conçus pour résister aux températures des cabines.
 - Ne versez pas d'eau de piscine chlorée ou d'eau thermale sur le poêle. L'utilisation excessive d'eau sur le poêle peut l'endommager et annuler la garantie.
 - Risque de décharge électrique - Une tension élevée circule dans l'équipement. L'équipement ne contient aucune pièce réparable par l'utilisateur. L'installation et la remise en état de l'équipement doivent être confiées à du personnel autorisé qualifié, en accord avec la législation locale et nationale.
 - Ne construisez pas la cabine de sauna de manière à limiter le flux d'air à travers le fond du poêle.

- Trop serrer les pierres peut provoquer le déclenchement de l'interrupteur de haute température.
- Maintenez un espace suffisant entre le poêle et les surfaces en bois (bancs, murs latéraux, palissade du poêle, etc.). Les supports de montage sont fournis. Prévoir un espace suffisant avec le mur derrière le poêle.
- Utilisez uniquement du fil de cuivre du diamètre et du type indiqués dans la Fiche technique du poêle, avec la température nominale indiquée sur le boîtier de distribution électrique du poêle.
- Un garde-corps ou une palissade doit être installé(e) autour du poêle pour éviter les brûlures accidentelles.
- Mettez à la terre tous les poêles et commandes, conformément au National Electric Code (NEC), pour éviter toute décharge électrique en cas de dysfonctionnement de l'unité.
- Les prises électriques ne doivent pas être installées dans une cabine de sauna.
- Ne placez pas les bancs au-dessus du poêle.



Conservez cette notice d'utilisation !
En cas de problème, contactez le distributeur auprès duquel vous avez acheté l'appareil.

© Toute reproduction, intégrale ou partielle, de la présente publication est interdite sans l'autorisation écrite de Tylö. Tylö se réserve le droit d'apporter des modifications aux matériaux, à la construction et à la conception.

NOTICE D'INSTALLATION

AVANT L'INSTALLATION

Pièces

Vérifiez que toutes pièces suivantes sont bien incluses dans l'emballage :

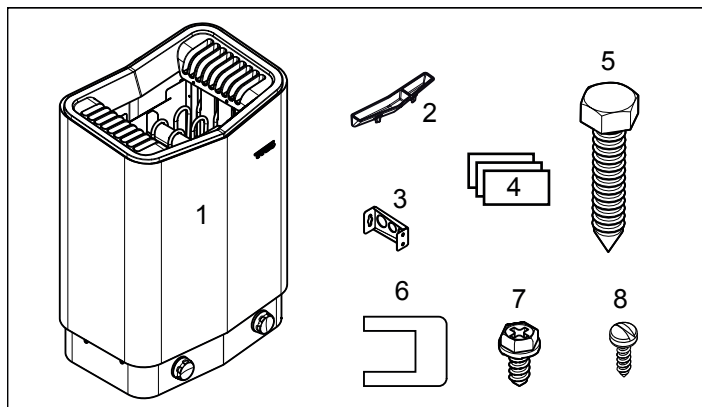


Figure 1 : pièces du poêle de sauna

1. Poêle de sauna
2. Bac à aromates/humidificateur d'air
3. Supports de montage du poêle x4
4. Plaques d'avertissement multilingues pour la cabine
5. Vis de supports x4
6. Connecteurs x 3
7. Vis de verrouillage B 8 x 9,5 x 1
8. Vis B 4 x 6,5 x 6 pour les plaques d'avertissement

Contactez votre distributeur s'il manque quelque chose.

Règles d'installation

Afin de garantir une utilisation du poêle en toute sécurité, assurez-vous que les conditions suivantes sont bien remplies :

- Câblage électrique effectué conformément au NEC et aux législations locales.
- Le calibre de fusible (A) et la taille de câble d'alimentation (AWG) doivent être adaptés au poêle (voir la section Schéma de câblage et de connexion, page 12).
- La ventilation du sauna doit satisfaire aux instructions de la présente notice (voir la section Positionnement de la valve d'entrée, page 11 et la section Positionnement de la valve d'évacuation, page 11).
- La position du poêle de sauna doit satisfaire aux instructions de la présente notice.
- La puissance du poêle (kW) doit être adaptée au volume du sauna (m³). (voir Tableau 1, page 10). Les volumes minimal et maximal ne doivent pas être dépassés.

Tableau 1 : tensions et volume du sauna

Modèle	Tension	kW	Volume du sauna min. en m ³	Volume du sauna max. en m ³
SSU 5	208 V	3,5	75	105
SSU 5	240 V	4,6	75	220
SSU 7	208 V	5,3	130	175
SSU 7	240 V	7,0	130	320
SSU 8	208 V	6,3	195	285
SSU 8	240 V	8,3	195	440

Outils d'installation

Les outils et le matériel suivants sont requis pour l'installation et le raccordement :

- niveau,
- clé à molette,
- perceuse électrique,
- tournevis.

Positionnement du poêle et installation de la cabine

Avant de commencer l'installation de votre poêle de sauna :

- Planifiez le positionnement du poêle de sauna (voir la section Positionnement du poêle - installation normale, page 10).
- Positionnez la valve d'arrivée (voir la section Positionnement de la valve d'arrivée, page 11).
- Positionnez la valve d'évacuation (voir la section Positionnement de la valve d'évacuation, page 11).
- Planifiez l'installation électrique (voir la section Schéma de câblage et de connexion, page 12).

Positionnement du poêle dans une cabine de sauna

Positionnez le poêle de sauna :

- Sur le même mur que la porte (ou sur le mur latéral, s'il est très proche du mur de la porte).
- À bonne distance du sol, des murs latéraux et des aménagements intérieurs (voir figure 2, page 10).

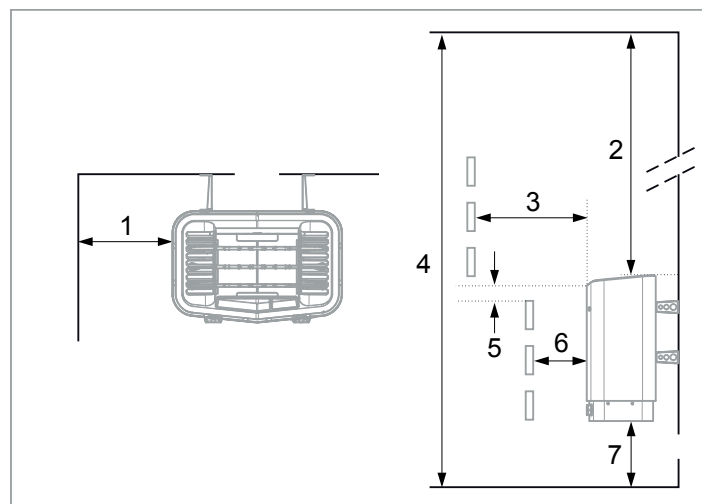


Figure 2 : positionnement du poêle - installation normale

1. Distance minimale avec le mur latéral : 8 cm
2. Distance minimale avec le plafond : 112 cm
3. Distance minimale avec les aménagements intérieurs : 10 cm
4. Hauteur minimale du plafond : 190 cm
5. Distance minimale : 2,5 cm
6. Distance minimale avec les aménagements intérieurs : 5 cm
7. Distance au sol : 18 cm

Ventilation de la cabine de sauna

Dans un sauna, l'air doit être renouvelé environ 6 fois par heure. Voir la Figure 3.

Il est conseillé que les ouvertures de ventilation soient conformes à la spécification UL 875. L'ouverture minimum doit être déterminée avec l'une des formules suivantes :

$$\text{Pour } R < 2,88 \quad V \geq 60$$

$$\text{Pour } R \geq 2,88 \quad V \geq 0,3 \cdot R$$

où R = la surface au sol de la cabine en mètres carrés et
 V = la taille minimum de l'orifice de ventilation en cm carrés

Positionnement de la valve d'entrée

Installez la valve d'entrée droite à travers la paroi, sous la ligne centrale du poêle.

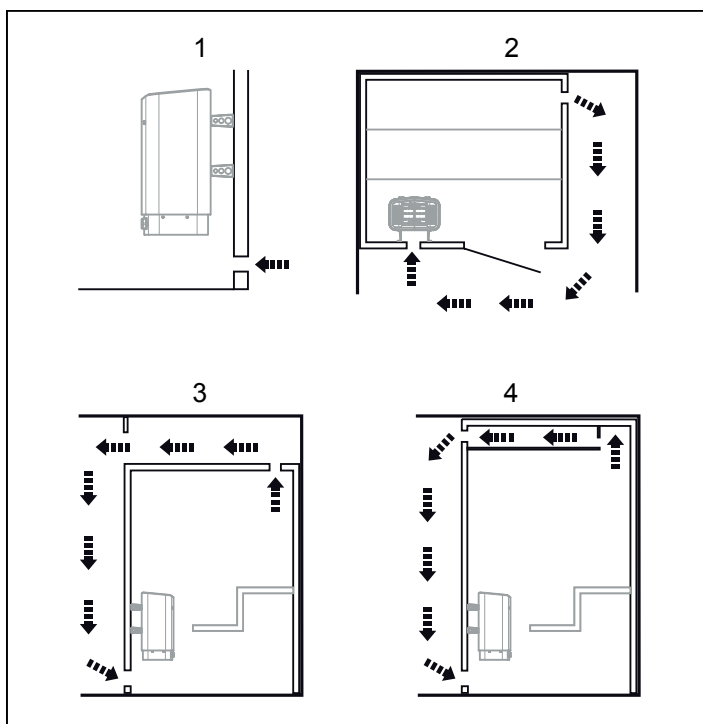


Figure 3 : positionnement des valves d'entrée et d'évacuation

1. Position de la valve d'entrée.
2. Position de la valve d'évacuation à travers la paroi du sauna.
3. Position de la valve d'évacuation à travers la cavité.
4. Position de la valve d'évacuation via une conduite.

Positionnement de la valve d'évacuation

Position de la valve d'évacuation :

- à la plus grande distance possible de la valve d'entrée, en diagonale (voir figure 3, page 11)
- en hauteur sur le mur ou dans le plafond (voir figure 3, page 11).
- de manière à aérer l'espace dans lequel la porte et la valve d'entrée s'ouvrent.

La valve d'évacuation doit avoir la même surface que la valve d'entrée. Assurez-vous que la valve d'évacuation est ouverte.

La ventilation mécanique n'est pas recommandée, en raison du risque de faible renouvellement d'air pouvant avoir des conséquences négatives sur la protection thermique du poêle.

Construction de la cabine

Pour des raisons de sécurité et de fiabilité, respectez les règles suivantes.

- La plaque AVERTISSEMENT Réduisez le risque de surchauffe... doit être montée sur ou le long de la porte à l'extérieur de la cabine de sauna, à hauteur des yeux. Utilisez les vis fournies.
- La plaque ATTENTION : Réduisez le risque d'incendie... doit être montée sur la paroi intérieure, au-dessus du poêle. Utilisez les vis fournies.
- Aucun système de verrou ou de cadenas permanent ne doit être utilisé sur la porte du sauna.
- Les garnitures de porte acceptables sont : les fermetoirs à aimant, les fermetoirs à friction, les systèmes de fermeture à ressort ou à gravité. La porte doit toujours s'ouvrir vers l'extérieur.
- Il est interdit d'installer une douche dans une cabine de sauna.
- Aucune prise électrique ne doit être installée à l'intérieur de la cabine de sauna.
- Le poêle ne doit pas fonctionner si son réceptacle à pierres n'est pas correctement rempli et si la protection n'est pas en place.
- Si un interphone est installé, il doit se trouver loin du poêle et aussi près du sol que possible.
- Si une lampe est installée dans la cabine, elle doit être de type à support de montage en surface. Les lampes montées au mur doivent se situer à env. 180 cm au-dessus du sol. Les lampes montées au plafond doivent être d'un type autorisé et dotées d'un boîtier électrique de distribution à distance du dispositif. Utilisez une lampe dotée d'un câble interne A.F. ou spécial luminaire. Une ampoule de 60 watts devrait éclairer suffisamment.
- Les systèmes de buses anti-incendie installés dans une cabine de sauna doivent être conçus pour résister aux températures des cabines.
- Montez toujours le poêle dans le respect de ces instructions d'installation.

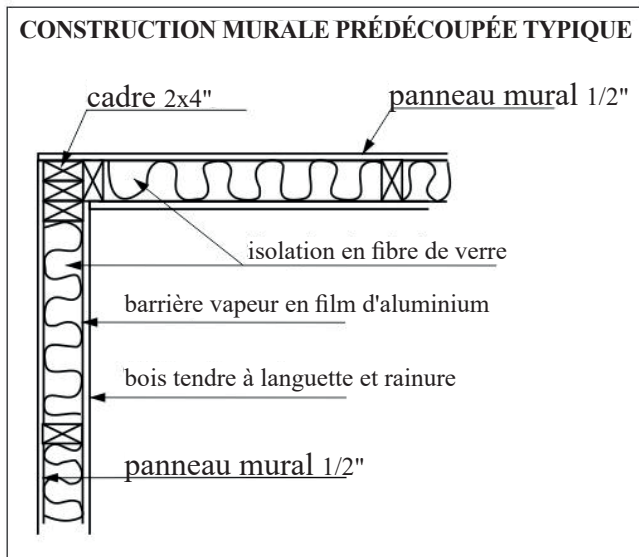
⚠ AVERTISSEMENT RÉDUISEZ LE RISQUE DE SURCHAUFFE

- * Sortez immédiatement en cas de malaise, de vertige ou de somnolence. Un séjour prolongé dans un sauna peut provoquer une hyperthermie.
- * Les enfants doivent être sous surveillance constante.
- * Si vous êtes enceinte, malade ou sous soins médicaux, demandez l'avis d'un médecin avant d'utiliser le sauna.
- * L'inhalation de l'air chauffé combinée à la consommation d'alcool, de drogues ou de médicaments peut provoquer une perte de connaissance.

⚠ ATTENTION RÉDUISEZ LE RISQUE D'INCENDIE

Ne posez jamais de matériau combustible sur le poêle.

Construction murale typique



INSTALLATION ÉLECTRIQUE

- Mettez à la terre tous les poêles et commandes, conformément au National Electric Code (NEC), pour éviter toute décharge électrique en cas de dysfonctionnement de l'unité.
- Utilisez uniquement du fil de cuivre du diamètre et du type indiqués sur le poêle.
- Raccordez le poêle à l'aide d'un câblage standard NEC, approuvé pour les installations fixes.
- Utilisez uniquement du fil de cuivre du diamètre et du type indiqués dans les informations sur le poêle et le NEC.

Installation du poêle de sauna

Pour préparer l'installation, il est plus facile de coucher le poêle.

Pour installer le poêle de sauna :

Couchez le poêle avec la face avant dirigée vers le haut.

Déposez les vis et ouvrez le couvercle (voir figure 4, page 12).

Raccordez le câble électrique (1) au bornier.

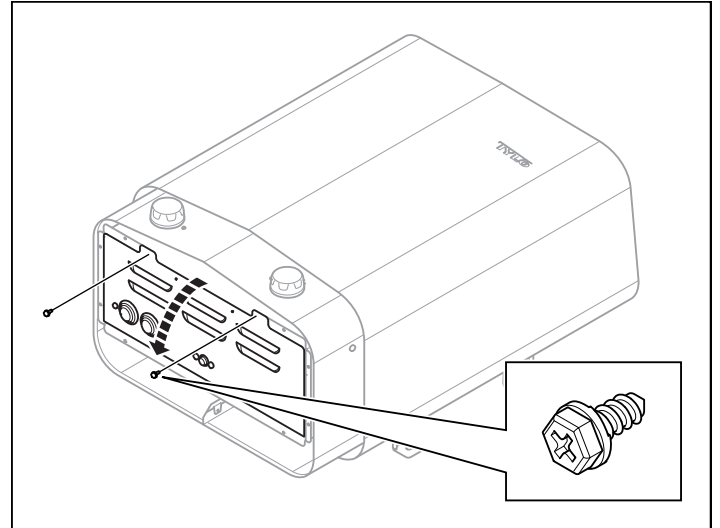


Figure 4 : ouverture et fermeture du capot



AVERTISSEMENT ! Vérifiez toujours que le poêle est bien raccordé à une tension de phase/réseau correcte.

L'installation électrique doit être réalisée par un électricien autorisé, dans le respect du National Electrical Code et des réglementations locales.

Ouvrez le capot en passant sous le poêle. Passez les fils d'alimentation dans les trous au fond du poêle et reliez les fils au bornier. Pour déterminer la bonne section de fil, reportez-vous au tableau ci-dessous. Utilisez uniquement un fil d'alimentation en cuivre, résistant à au moins 90 °C. Le poêle doit être mis à la terre !

Connexion/câblage

Tableau des tailles de fils du poêle

Modèle	Puis- sance en kW	208 V monophasé		240 V monophasé	
		A	Taille du fil AWG	A	Taille du fil AWG
SSU 5	3,5	17	12		
SSU 5	4,6			20	10
SSU 7	5,3	26	10	-	-
SSU 7	7,0	-	-	30	8
SSU 8	6,3	30	8	-	-
SSU 8	8,3	-	-	35	8

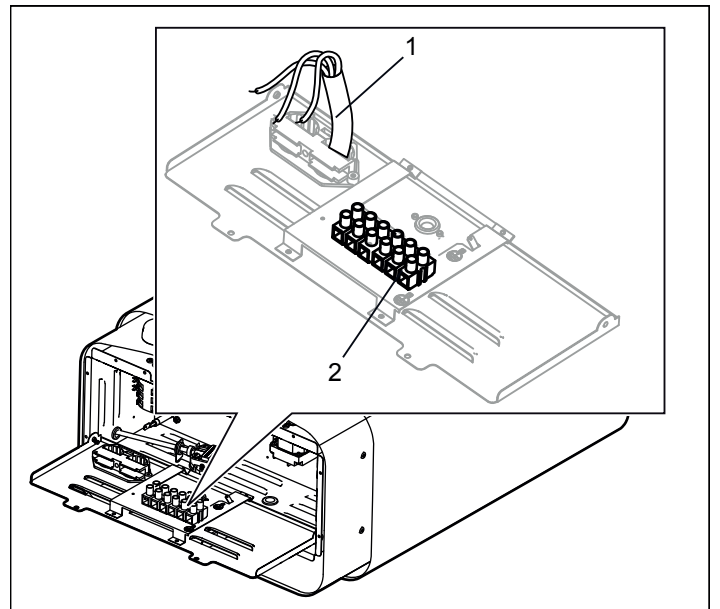
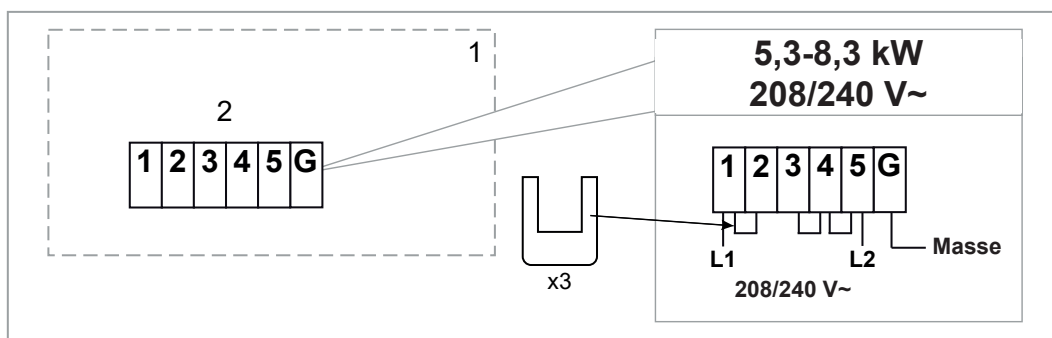


Figure 5 : bornier

1. Câble électrique
2. Bornier pour le raccordement du câble électrique

Refermez le capot et revissez les vis (voir figure 4, page 12).

Connexions au bornier



Retrait de la protection des pierres

Dévissez les deux vis sur le côté du poêle et soulevez la protection des pierres, voir figure 6, page 13. (C'est nécessaire pour remplir le compartiment à pierres ou nettoyer le support à parfum et l'humidificateur d'air).

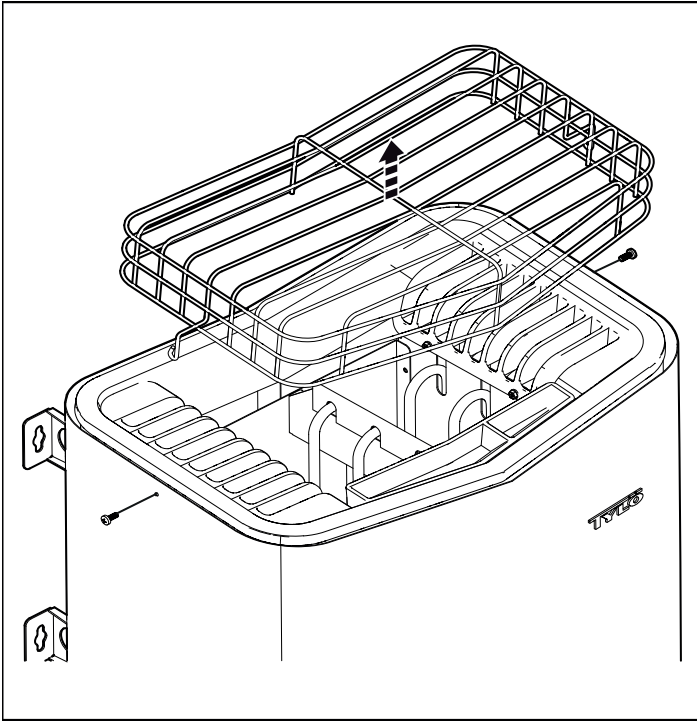


Figure 6 : retrait de la protection des pierres

Montage du poêle

1. Dévissez les deux premières vis au dos du poêle et vissez l'un des quatre supports en place. Répétez la procédure avec tous les supports, voir figure 7, page 13.



ATTENTION ! Si toutes les vis au dos sont dévissées simultanément, la plaque arrière peut se détacher. Pour cette raison, fixez les quatre supports au poêle l'un après l'autre.

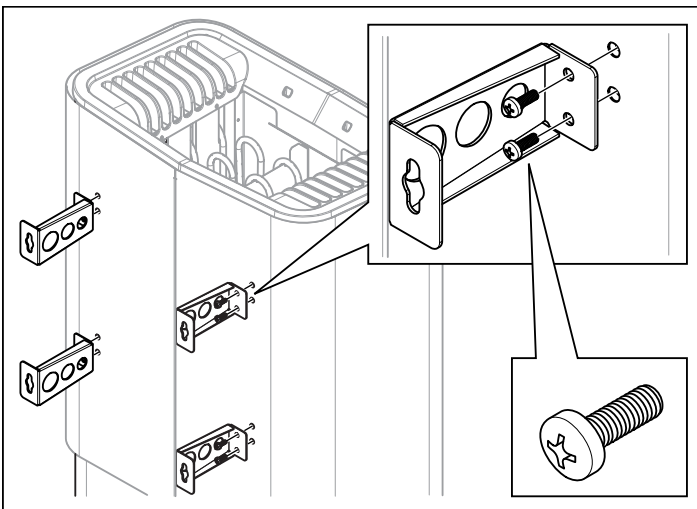


Figure 7 : fixation des supports au poêle

2. Positionnez les vis de supports en fonction du dimensionnement indiqué, voir figure 8, page 13.

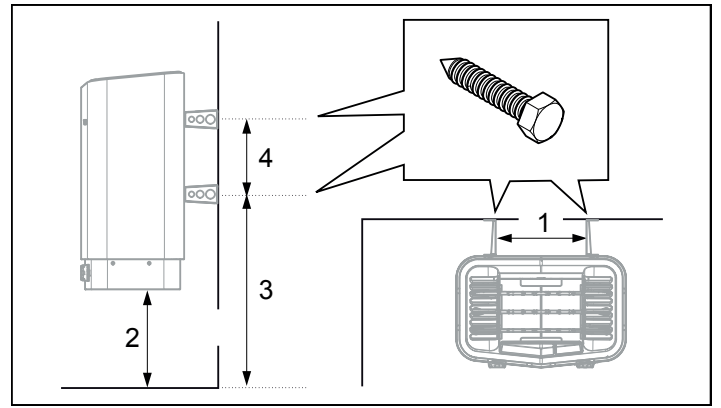


Figure 8 : dimensionnement

1. 26,19 cm
2. 17,78 cm
3. 43,94 cm
4. 20,6 cm

3. Fixez le bac à aromates/humidificateur d'air (voir Figure 9, page 13).

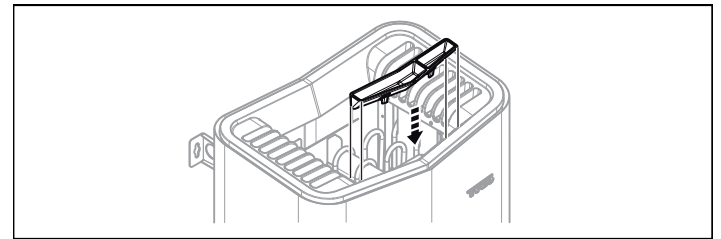


Figure 9 : fixation du support à parfum/de l'humidificateur d'air

4. Suspendez le poêle sur les vis (voir figure 10, page 13).

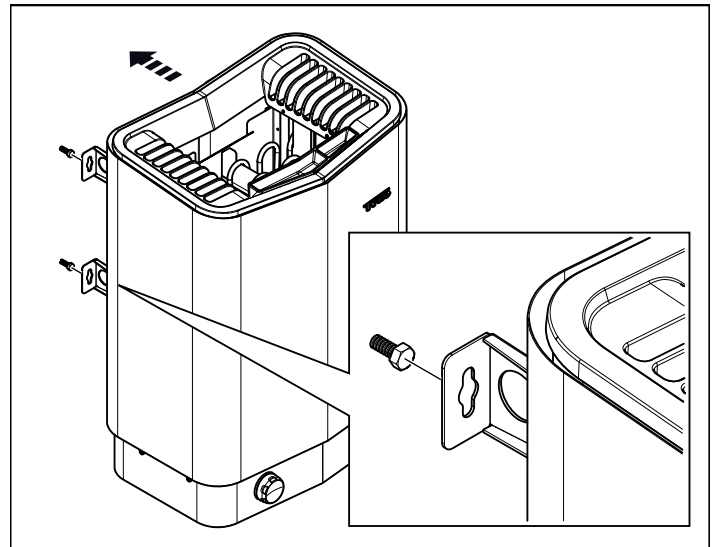


Figure 10 : suspension du poêle

5. Bloquez le poêle en place avec la vis de verrouillage (voir figure 11, page 13).

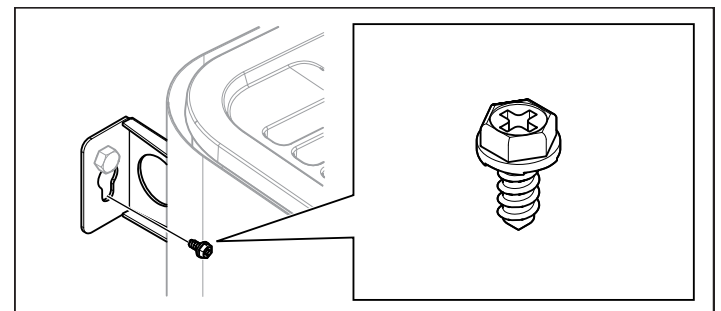


Figure 11 : vis de verrouillage de support

NOTICE D'UTILISATION

INFORMATIONS GÉNÉRALES

Félicitations pour votre nouveau poêle de sauna ! Afin de profiter au mieux de votre achat, veuillez respecter les consignes fournies dans cette notice.

Le sauna sec et le sauna humide sont des pratiques de longue date. La température idéale de ces saunas se situe entre 63 et 88 °C. Les températures se mesurent à 20-25 cm du plafond, au-dessus du poêle de sauna.

AVANT L'UTILISATION

Première utilisation du poêle



ATTENTION ! Utilisez toujours des pierres en diabase (pierres pour sauna de Tylö). Des pierres « ordinaires » risqueraient d'endommager le poêle. N'utilisez pas de pierres en céramique. Elles risqueraient, elles aussi, d'endommager le poêle. La garantie du poêle ne couvre pas les dommages provenant des pierres en céramique.

Remplissez le compartiment à pierres autour des résistances, depuis le bas vers le haut et jusqu'à environ 5 cm au-dessus du bord supérieur avant. N'appuyez pas sur les pierres pour les placer. Capacité : environ 11 kg de pierres.

Placez les pierres en les espaçant de manière à garantir une circulation optimale de l'air. Les résistances tubulaires ne doivent pas être écrasées les unes contre les autres ni contre les bords. Les pierres du sauna doivent :

- supporter une forte chaleur et les variations de température auxquelles elles sont soumises lorsqu'on les arrose d'eau ;
- être nettoyées avant l'utilisation ;
- présenter une surface irrégulière qui puisse « retenir » l'eau, de manière à obtenir un meilleur dégagement de vapeur ;
- avoir une taille comprise entre 3,8 et 5,1 cm pour permettre à l'air de circuler dans le compartiment à pierres. Ceci augmentera la durée de vie des résistances tubulaires.



ATTENTION ! Ne placez jamais de pierres sur les chambres à air latérales. L'obturation des valves empêche la circulation de l'air, l'unité surchauffe et l'interrupteur de sécurité de température s'enclenche.

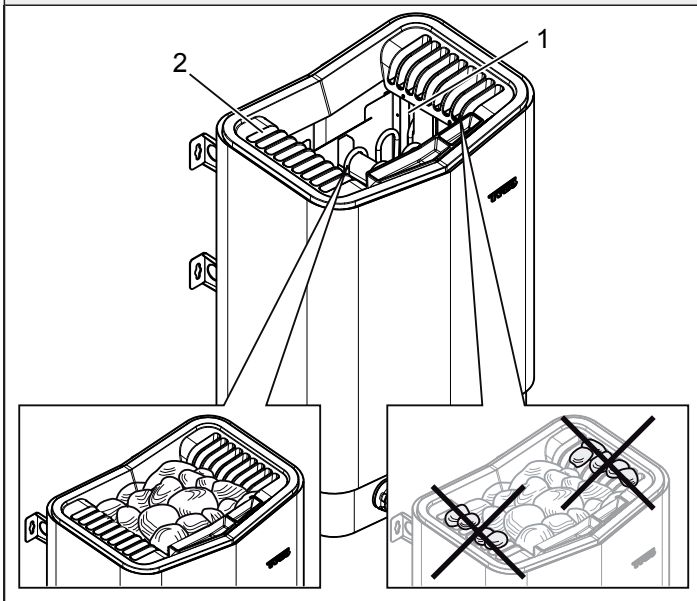


Figure 1 : remplissage du compartiment à pierres

1. Compartiment à pierres
2. Chambres latérales

Allumez le poêle afin de faire disparaître « l'odeur de neuf »

- Pour faire disparaître l'odeur de neuf du poêle :
- Tournez le thermostat à mi-hauteur de l'échelle de températures et faites chauffer le poêle pendant une heure environ. Un léger dégagement de fumée peut survenir.

Avant chaque utilisation

Vérifiez les points suivants

Assurez-vous :

- qu'il n'y a aucun corps étranger dans la cabine sauna ni sur ou dans le poêle ;
- que la porte et toutes les fenêtres de la cabine sauna sont bien fermées ;
- que la porte du sauna s'ouvre vers l'extérieur grâce à une légère pression.

Comment utiliser le sauna

- Lors d'une séance de sauna, prenez le temps de vous relaxer complètement.
- Retirez vos vêtements et bijoux et portez une serviette non serrée si besoin.
- Au bout de 10 minutes ou quand vous commencez à transpirer, quittez le sauna pour vous relaxer dans la zone de rechange, puis prenez une douche fraîche.
- Le temps de rafraîchissement doit être égal au temps passé au sauna. Entrez à nouveau dans la cabine et restez-y 5 à 10 minutes.
- Répétez le cycle 2 ou 3 fois ; terminez par une douche rapide... rincez-vous à l'eau fraîche.
- Rhabillez-vous une fois totalement sec et quand vous ne transpirez plus.
- Certains amateurs de sauna aiment l'effet apaisant de la vapeur lorsqu'ils versent de l'eau sur les pierres chauffées du sauna. Versez un seul godet à la fois (env. ½ tasse) et veillez à vous éloigner de la vapeur qui monte des pierres.
- Ne fumez pas, ne faites pas d'exercice physique et ne buvez pas de boissons alcoolisées dans la cabine.
- Ne versez pas d'eau de piscine chlorée ou d'eau thermale sur le poêle ; il risquerait de rouiller.



REMARQUE ! N'utilisez pas la cabine sauna pour un autre usage que le sauna.

Réglage de la température

Le thermostat présente une échelle de température ascendante. Déterminez la température de sauna qui vous convient le mieux (généralement située entre 70 et 80 °C). Vous pouvez ensuite laisser la température réglée à ce niveau.

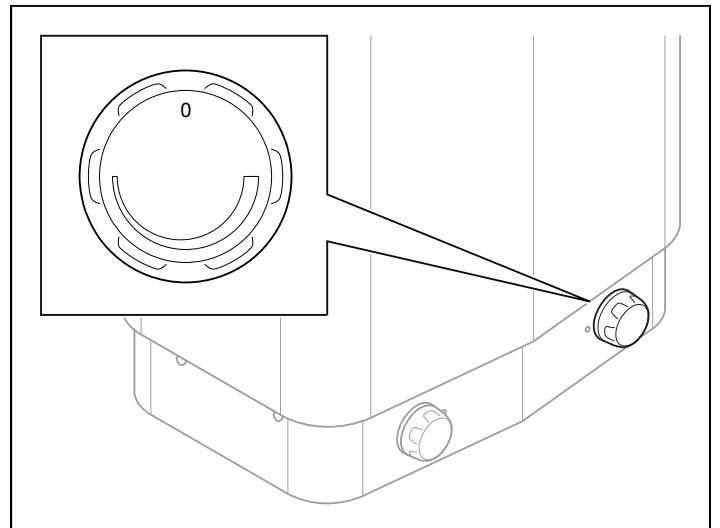


Figure 2 : thermostat de réglage de la température

Réglage de la durée

Pour régler la durée pour un démarrage immédiat : tournez le bouton du minuteur à fond dans le sens des aiguilles d'une montre. La durée de la séance de sauna est réglée sur 60 minutes. Pour arrêter le poêle manuellement, tournez le bouton dans le sens inverse des aiguilles d'une montre.

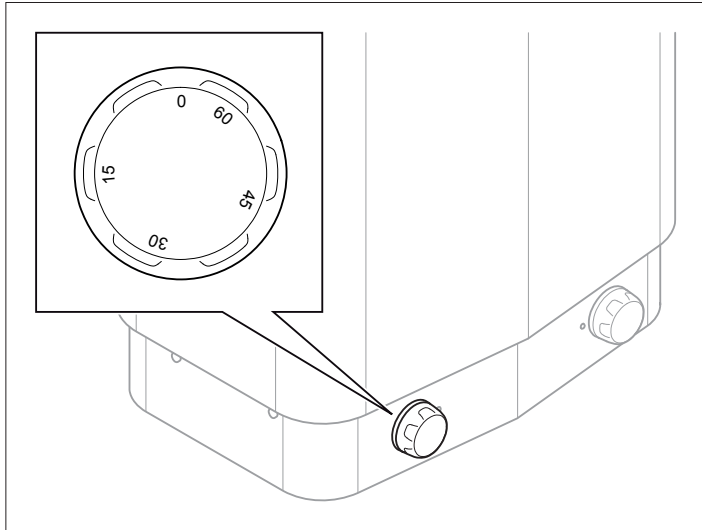


Figure 3 : minuteur pour le réglage de la durée

Fonctions

Support à parfum



DANGER ! Les essences parfumées, etc., risquent de s'enflammer si elles sont versées directement sur les pierres.

Pour obtenir un parfum agréable dans le sauna, versez quelques gouttes de parfum Tylö pour sauna dans l'eau du support à parfum. Vous pouvez aussi mélanger quelques gouttes de parfum pour sauna à de l'eau dans un seau pour sauna et verser l'eau sur les pierres chaudes. Utilisez une louche de sauna pour verser l'eau sur les pierres chaudes.

Le parfum pour sauna Tylö est disponible en six variantes :

Le parfum pour sauna Tylö est disponible en six variantes :

- Eucalyptus
- Menthe
- Menthol
- Pin
- Citron
- Bouleau

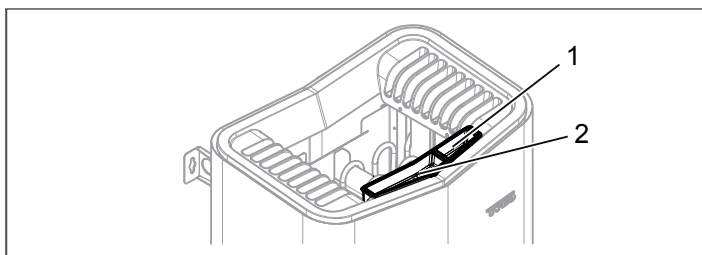


Figure 4 : autres fonctions

1. Support à parfum
2. Humidificateur d'air

Humidificateur d'air



DANGER ! Ne versez pas d'eau dans le support à parfum une fois qu'elle a chauffé ; l'eau bouillante peut provoquer des projections sur les occupants du sauna.

Pour maintenir une humidité de base agréable dans le sauna, remplissez d'eau l'humidificateur d'air intégré (voir figure 4, page 15) avant d'allumer le sauna.



ASTUCE ! Versez quelques gouttes de parfum pour sauna dilué dans l'humidificateur d'air intégré.

ENTRETIEN

Nettoyage du support à parfum et de l'humidificateur d'air

Nettoyez le support à parfum et l'humidificateur d'air selon les besoins.

Pour nettoyer le support à parfum et l'humidificateur d'air :

Retirez le support à parfum/l'humidificateur d'air et rincez-les sous l'eau courante.

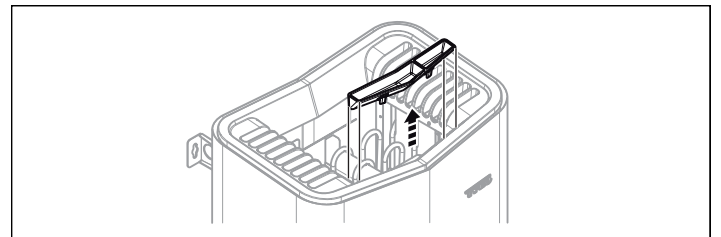


Figure 5 : nettoyage du support à parfum et de l'humidificateur d'air

Contrôle du compartiment à pierres.

Contrôlez le compartiment à pierres au moins une fois par an ou le même nombre de fois par an que le poêle est utilisé chaque semaine.

Par exemple : si le poêle est utilisé trois fois par semaine, contrôlez le compartiment à pierres trois fois par an.

Pour contrôler le compartiment à pierres :

Retirez toutes les pierres du compartiment.

Enlevez tous les fragments de pierre, graviers et dépôts de tartre dans le compartiment.

Remettez en place les pierres restées intactes.

Remplacez les pierres endommagées par des neuves (voir la section Remplissage du compartiment à pierres, page 14).

Cabine de sauna

Le sauna, comme une salle de bains, doit être maintenu propre et sans odeur.

Utilisez des serviettes ou des tapis sur les bancs et le sol pour éviter que la sueur ne pénètre le bois tendre.

Aérez le sauna souvent en laissant la porte et les valves ouvertes lorsqu'il n'est pas utilisé. Les saunas utilisés quotidiennement doivent être lavés au moins une fois par semaine pour les maintenir propres et pour que l'air soit frais. Le caillebotis doit être retiré du sauna, le sol du sauna doit être serpillé et séché de manière classique et le caillebotis doit être frotté à fond et séché avant d'être réinstallé dans la cabine de sauna. Le poêle du sauna doit être essuyé de temps en temps avec un chiffon humide pour retirer les peluches et la poussière. Les pierres doivent être retirées une fois par an pour nettoyage et les pierres émietées ou de petite taille doivent être remplacées.

Pour nettoyer les tâches de sueur, utilisez de l'eau chaude avec du savon ou du détergent, en l'appliquant si possible à la brosse. Les surfaces très souillées peuvent nécessiter un ponçage. Envelopper un bloc de bois d'un papier de verre est efficace.

Les bancs et la structure de soutien doivent être inspectés annuellement à la recherche d'une détérioration due à l'âge, à une pourriture sèche ou à une mauvaise utilisation. Toute planche présentant des détériorations doit être remplacée immédiatement, afin d'éviter les blessures.

Dépannage du poêle de sauna

Tableau 1 : dépannage du poêle de sauna

Problème	Cause possible	Solution
Chauffage insuffisant	Le thermostat est réglé trop bas. Le minuteur est réglé sur moins de 60 minutes.	Augmentez la température au thermostat. Augmentez le réglage de la durée sur 60 minutes.
Aucun chauffage	Interrupteur interne de sécurité de température activé. Pour plus d'informations, voir la section Interrupteur de sécurité de température, page 16.	Réinitialisez l'interrupteur de sécurité de température. Appuyez sur le bouton blanc sur le côté gauche du poêle (voir figure 6, page 16). Tentez de déterminer la cause de l'activation de l'interrupteur de sécurité.
Aucun chauffage	Coupe-circuit/ Fusibles du disjoncteur.	Remplacez/réamorcez les fusibles du disjoncteur qui ont sauté.
Les fusibles/le disjoncteur du tableau de distribution sautent dès que le poêle est allumé ou pendant son fonctionnement.	Le poêle n'a pas été utilisé pendant une période prolongée, ce qui génère un défaut d'isolation des résistances.	Éteignez le poêle et ne l'utilisez pas. Contactez un électricien pour un contrôle ou votre revendeur pendant la durée de garantie.

Interrupteur de sécurité de température

L'interrupteur de protection thermique du poêle sert à empêcher la surchauffe des composants, des résistances et du bois à l'intérieur du sauna. Si l'interrupteur de sécurité s'est déclenché, il doit être réinitialisé avant de pouvoir rallumer le poêle. Il convient toutefois de rechercher au préalable la cause de la surchauffe.

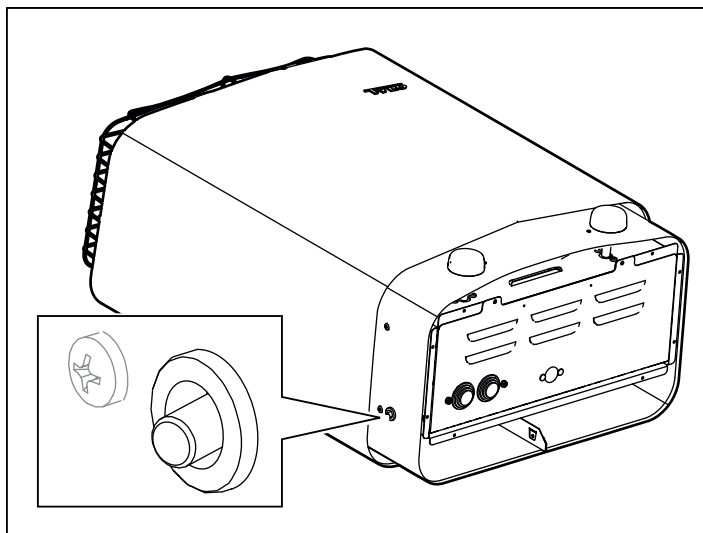


Figure 6 : réinitialisation de la protection thermique

LISTE DES PIÈCES DE RECHANGE

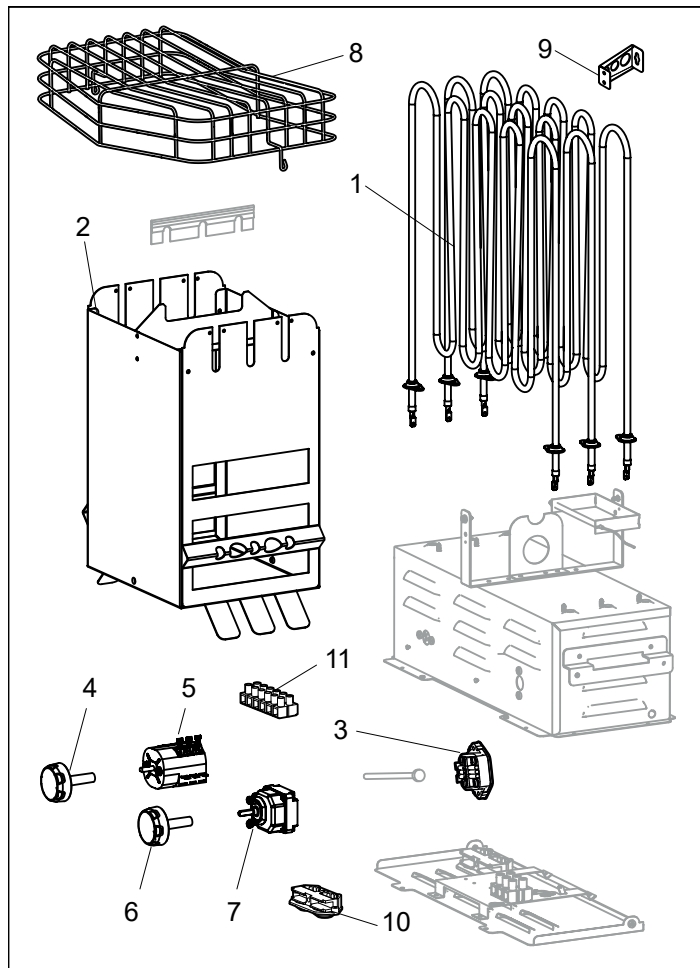


Figure 7 : pièces de rechange

Pièces de rechange			
Numéro de pièce	Tylo USA réf.	Tylo Europe réf.	Description
1	3001-908	96000158	Résistance tubulaire SSU 8
1	3001-907	96000243	Résistance tubulaire SSU 5/7
2	8012-590	96000735	Compartiment à pierres
3	3119-610	96000253	Interrupteur de sécurité de température
4	2140-708	96000134	Bouton du minuteur
5	3410-508	96000014	Minuteur de 60 minutes
6	2140-710	96000133	Bouton de thermostat
7	3155-642	96000257	Thermostat
8	8019-541	96000736	Protection des pierres
9	8201-210	96000146	Supports
10	1130-12	96000554	Connecteur anti-arrachement
11	2100-520	96000723	Bornier

Limitation des substances dangereuses (ROHS, RESTRICTION OF HAZARDOUS SUBSTANCES)

Instructions pour la protection de l'environnement : Après usage, ne mettez pas ce produit au rebut avec les déchets ménagers. Amenez-le à un centre de recyclage des appareils électriques et électroniques. Pour plus d'informations, consultez le symbole figurant sur le produit, la notice ou l'emballage.

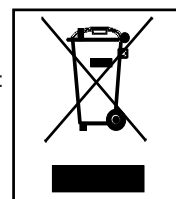
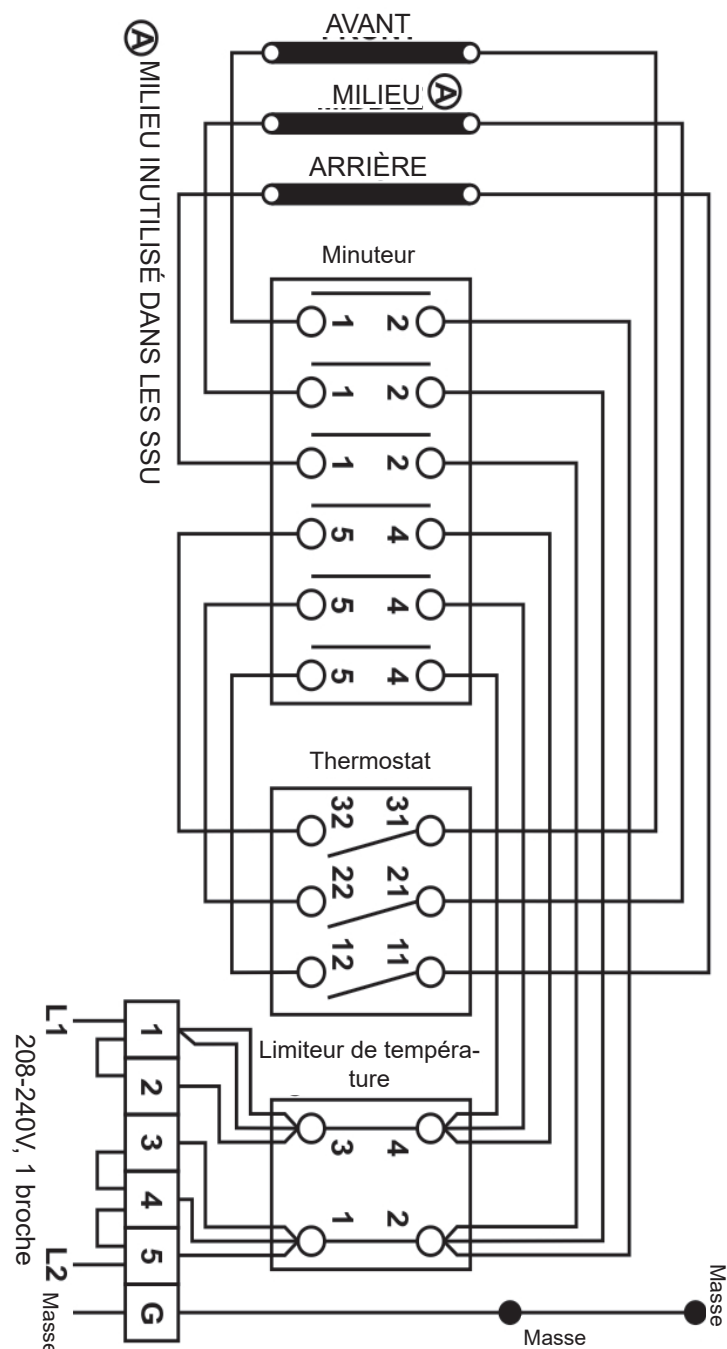


Figure 8 : symbole

Les différents matériaux peuvent être recyclés conformément à leur étiquetage. Vous pouvez contribuer à la protection de l'environnement en recyclant ou en réutilisant les équipements usagés et leurs matériaux. Portez le produit à un centre de recyclage sans les pierres de sauna ni le manteau en pierre à savon éventuel. Contactez les autorités locales pour connaître le site de recyclage le plus proche.

Schéma électrique du poêle SSU 5, 7 et 8

Art.nr 0400 0185



Utilisez uniquement un fil de cuivre à 90 °C
N'oubliez pas de mettre à la terre (masse) !

Type	kW	208 V~		240 V~	
		A	AWG	A	AWG
Sense Sport-U 5	3,5	17	10	-	-
	4,7	-	-	20	10
Sense Sport-U 7	5,3	26	10	-	-
	7,0	-	-	30	8
Sense Sport-U 8	6,3	30	8	-	-
	8,3	-	-	30	8