

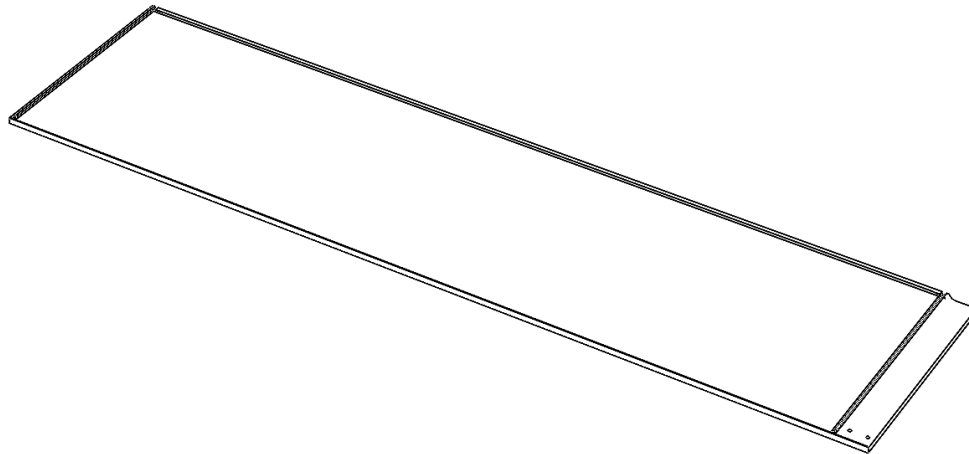
Wardrobe assembly instructions



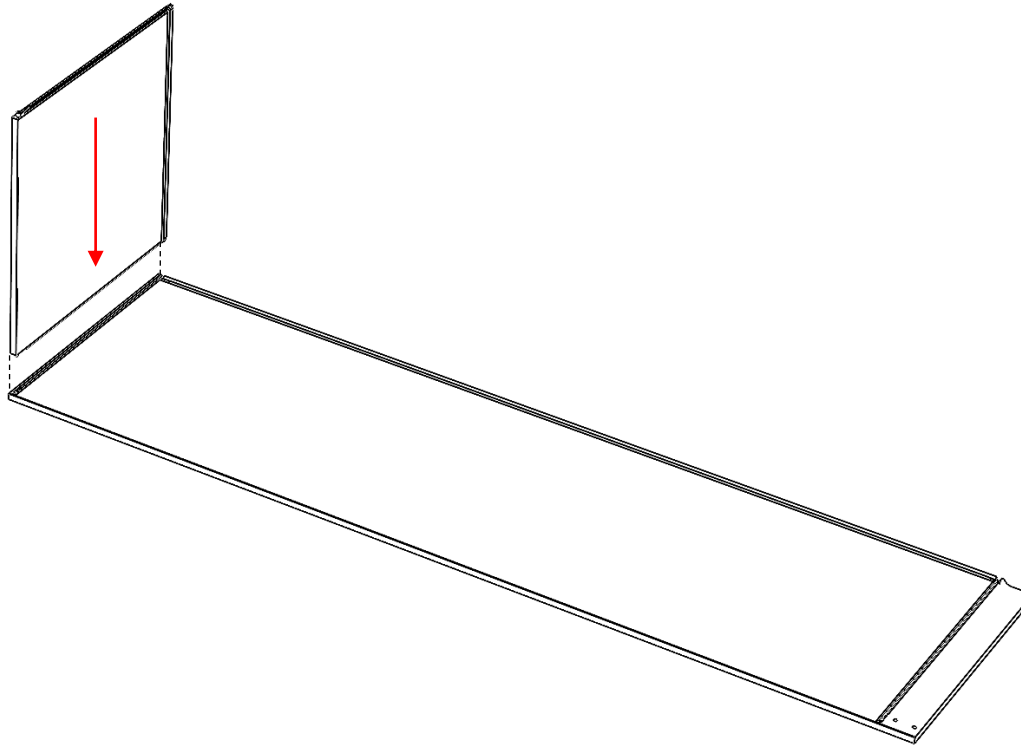
Click furniture technology by Valinge Innovation

Rev 2204

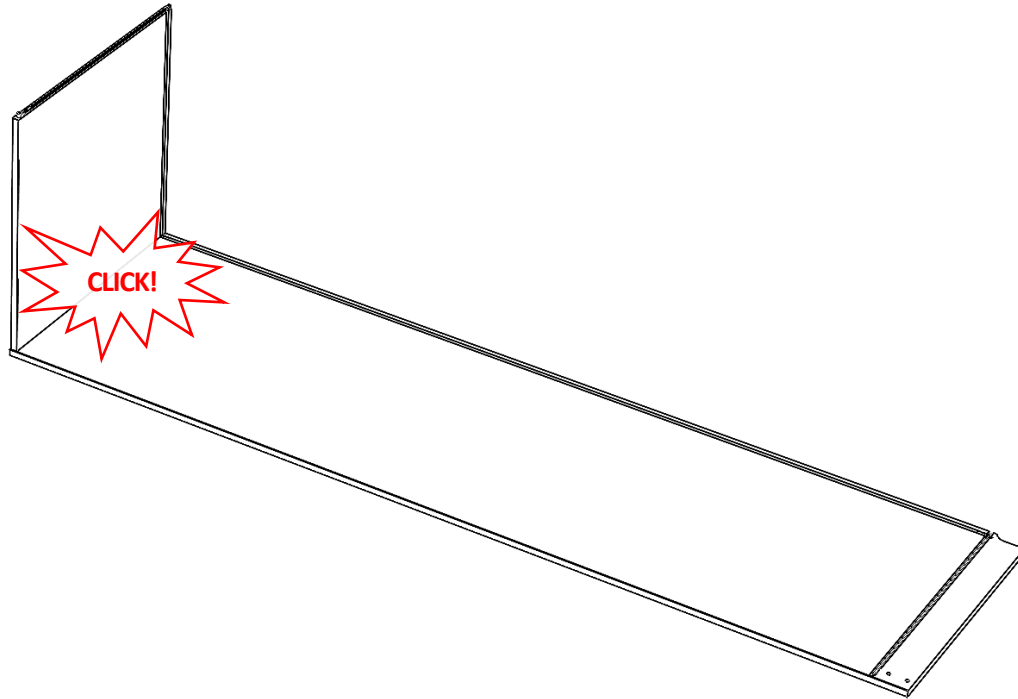
STEP 1 – Start with a side panel.



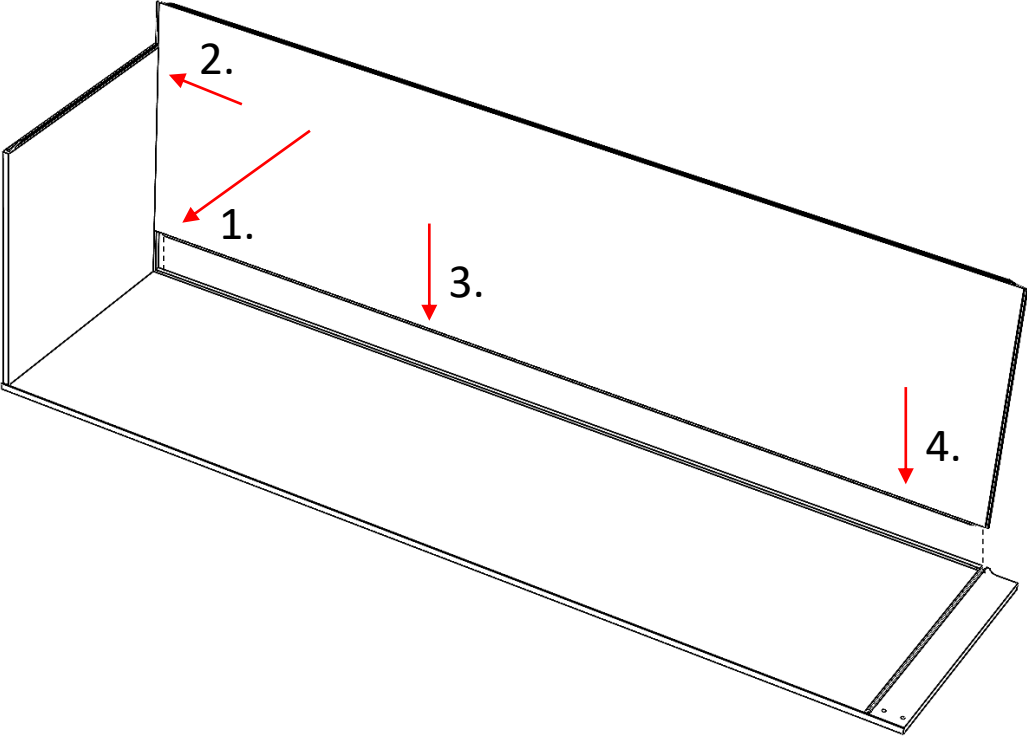
STEP 2a – Take the top panel and connect it to the groove closest to the edge.



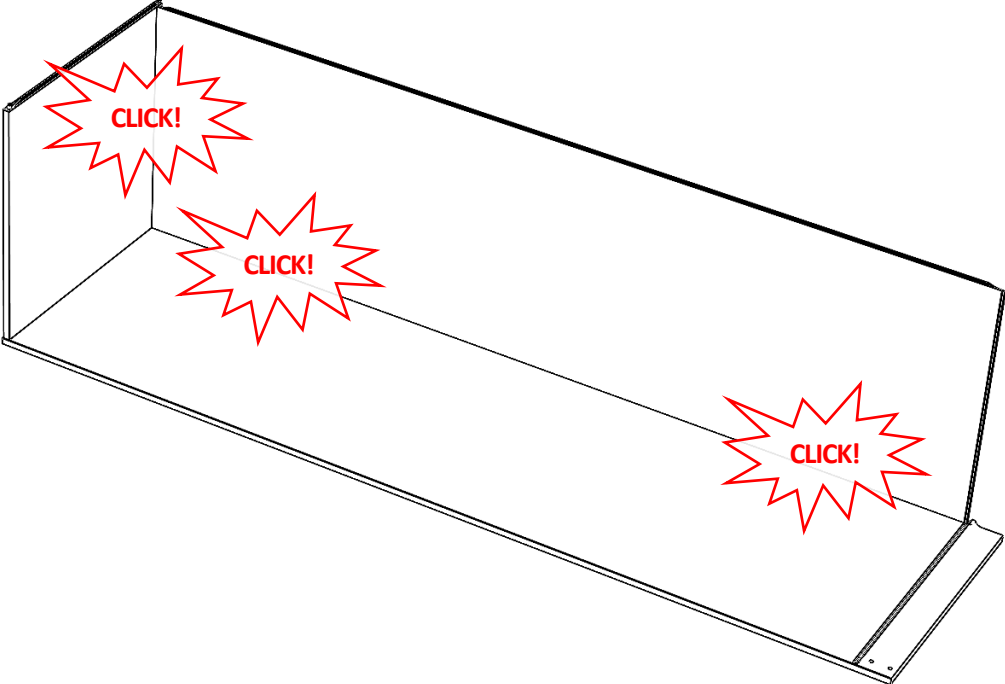
STEP 2b – Click!



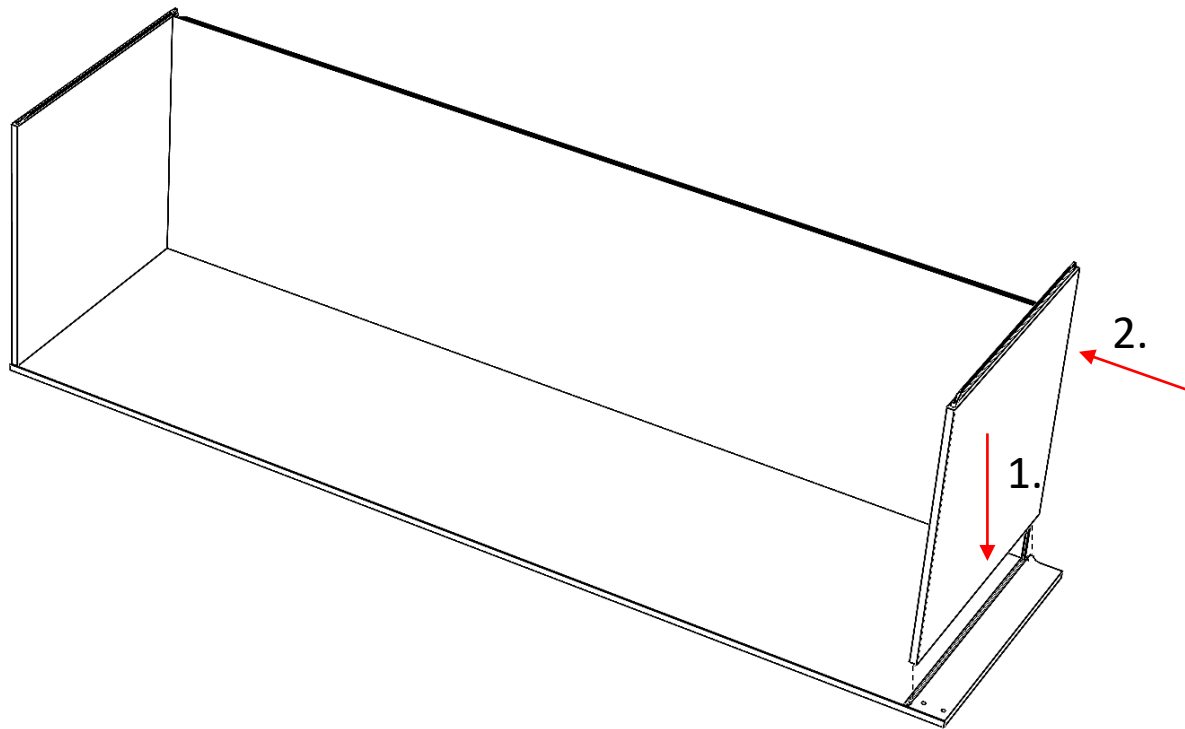
STEP 3a – Take the back panel and start connecting it from the corner between the top panel and the side panel.



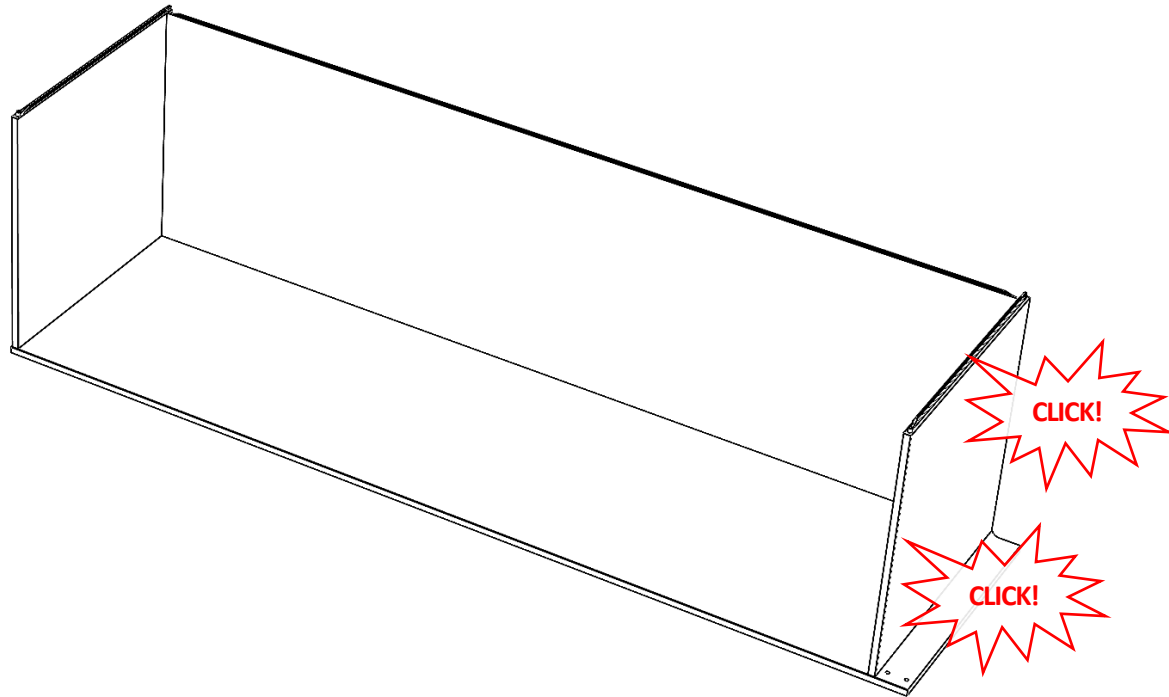
STEP 3b – Click!



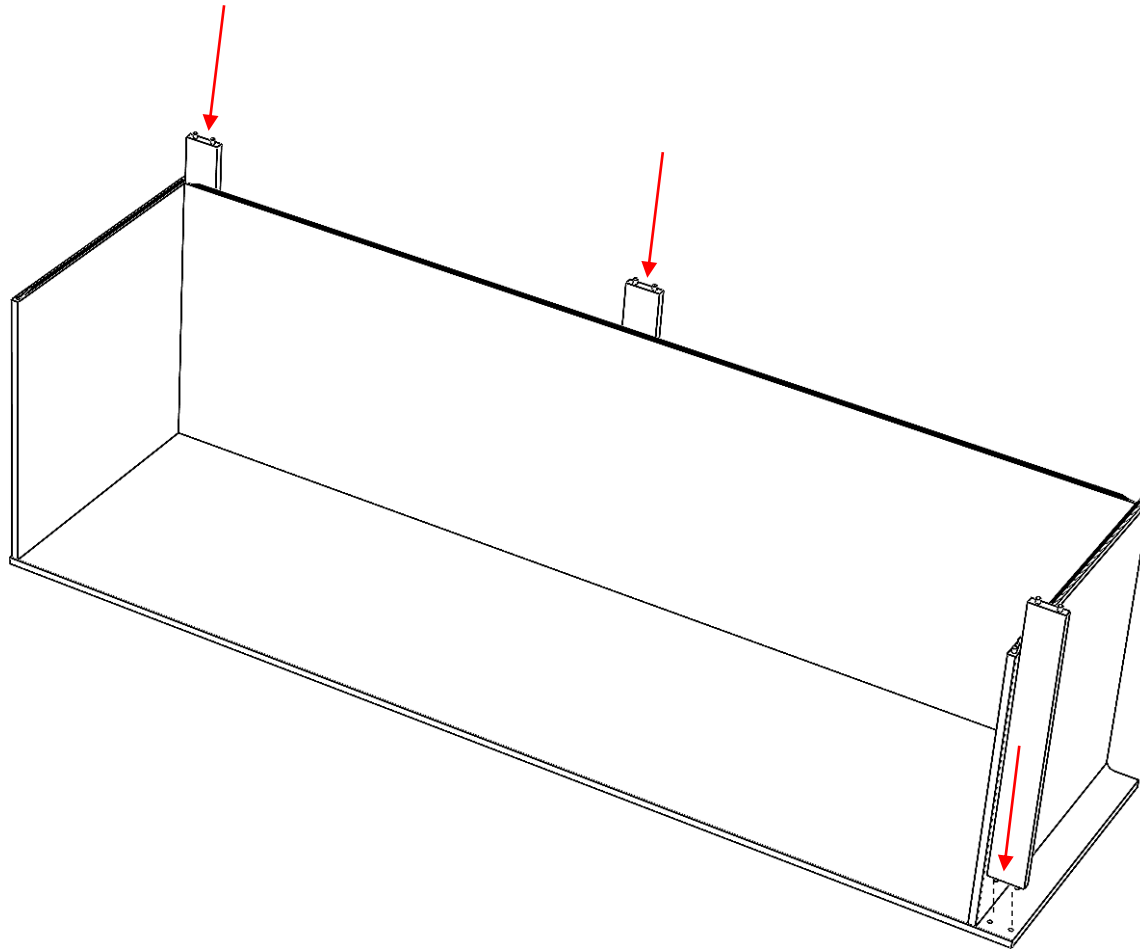
STEP 4a – Continue with the bottom panel. Connect it first to the side panel and then to the back panel.



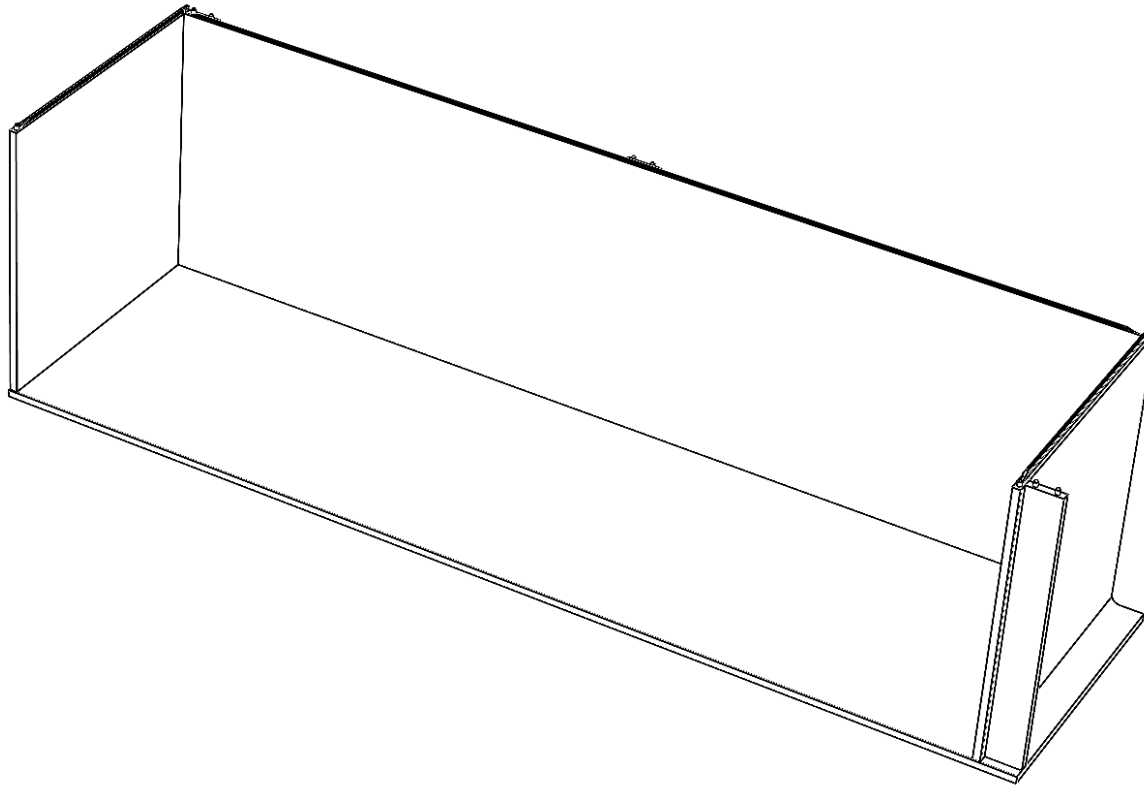
STEP 4b – Click!



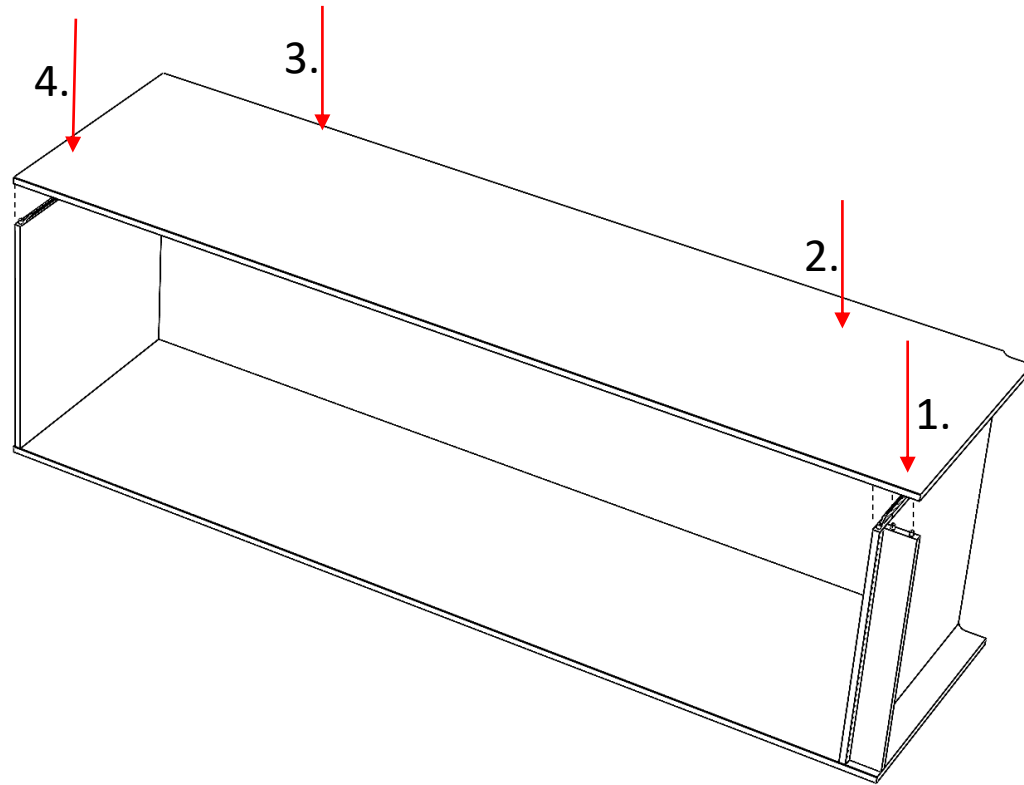
STEP 5a – Take the plinth and back rails and...



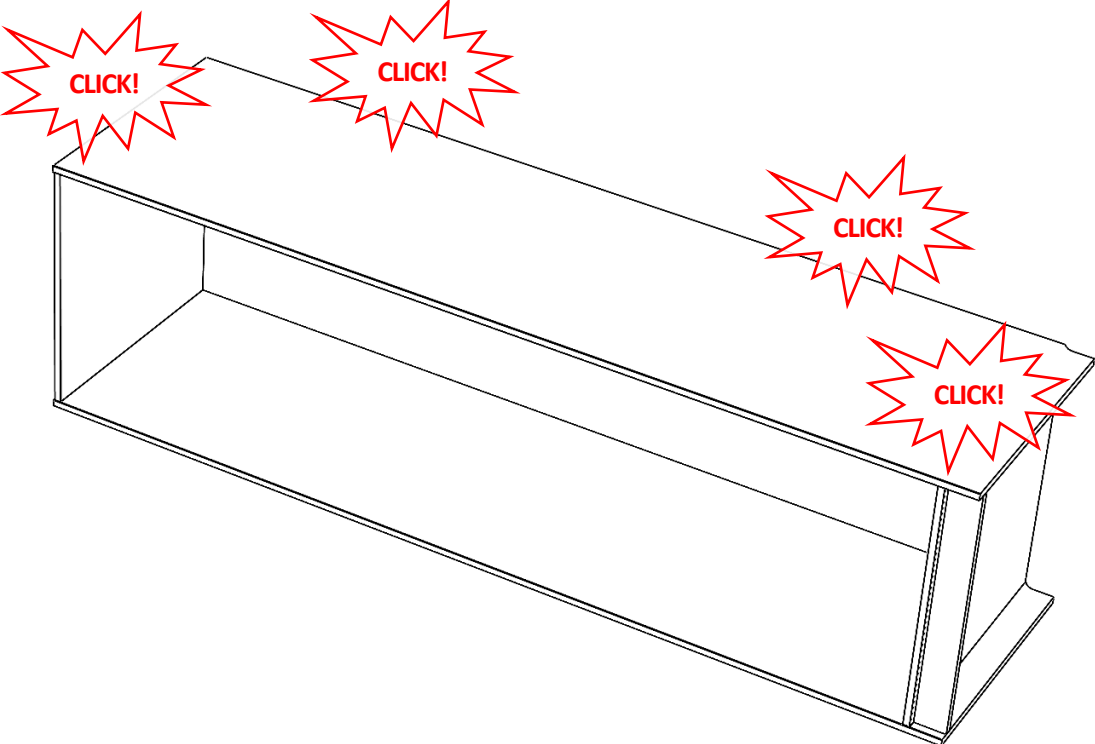
STEP 5b – ...insert the dowels into the holes in the side panel.



STEP 6a – Take the second side panel and first align it with all the previously clicked panels. When all the profiles and dowel holes are aligned, start pushing the panel downwards to connect it to other panels.



STEP 6b – Click!



Finished!

