

Filter ball valve with union nut

- Pump ball valve
- Protecting circulation pumps
- Easy maintenance
- Female thread 1"
- Union nut 1½"



Description

A shut off valve with an integrated changable strainer that protects the pump and makes maintenance easy. The rotating union nut allows for fast installation.

Application

Heating and cooling systems. The union nut is suitable for flanged products such as circulation pumps.

Construction

Ball valve in brass. Changeable strainer insert, mesh 0.4 mm. Gaskets in PTFE. EPDM seals between cap and body.

Marking

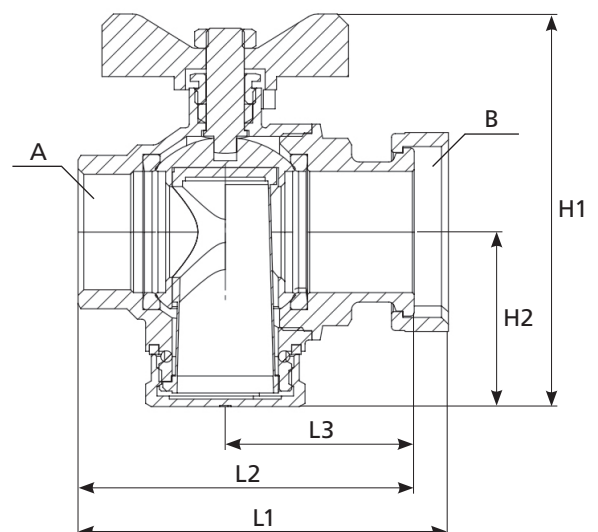
DN, PN and flow direction arrow. Logo on body.

Maintenance

Close the valve and clean the strainer insert when necessary. The ball valve must be operated periodically, two to three times a year. For more information, please see Impel's website.

Technical data

Body, nut	Brass
Ball seal	PTFE
Stem gasket	PTFE
Strainer insert	Stainless steel SS304
Cap seal (O-ring)	EPDM
Cap seal (gasket)	EPDM
Maximum working pressure:	16 bar
Maximum working temperature:	100°C
Minimum working temperature:	-20°C
K _v - value:	10,0 m ³ /h



Item number	Description	A	B	L1	L2	L3	H1	H2	Weight (kg)
0448102540	Filter ball valve 481-25, flange with union nut, t-handle	1"F	1½"F	97.6	88.6	49.8	104	46	0.92

All dimensions in millimetres

Subject to technical changes and corrections without notice